

**CI262101**  
**Flex induction cooktop 200 series**  
**Frameless**  
**Width 60 cm**

Frameless for flush mounting  
 Flex function for combining the rectangular cooking areas  
 Free positioning of cookware inside combined cooking areas  
 Cooking sensor function for temperature control in pots  
 Frying sensor function for temperature control in pans  
 Twist-Pad control with removable magnetic knob  
 Easy control of all functions with bicoloured display

**Color Variants**

CI262101  
 Frameless  
 Width 60 cm

**Optional accessories**

CA051300  
 Teppan Yaki plate made of multi ply material  
 CA052300  
 Griddle plate in cast aluminium  
 CA060300  
 Cooking sensor for temperature regulation within pots  
 CA230100  
 Black magnetic knob for induction cooktop 200 series  
 GP900001  
 Stainless steel frying sensor pan  
 GP900002  
 Stainless steel frying sensor pan  
 GP900003  
 Stainless steel frying sensor pan

**Cooking zones**

2 flex induction cooking areas 19x23 cm (2200 W, with booster 3700 W), linked together 38x23 cm (3300 W, with booster 3700 W).  
 1 induction cooking zone ø 21 cm (2200 W, with booster 3700 W).  
 1 induction cooking zone ø 15 cm (1400 W, with booster 2200 W).

**Handling**

Twist-Pad control with removable magnetic knob.  
 User friendly control with bicoloured display (white / orange).  
 Cooking zone and cooking area marking.  
 Electronic power control in 17 output levels.

**Features**

Flex function for rectangular cooking areas.  
 Cooking sensor function (in use with cooking sensor CA 060 300).  
 Frying sensor function.  
 Booster function for pots.  
 Booster function for pans.  
 Keep warm function.  
 Stopwatch.  
 Cooking timer for up to 99 minutes.  
 Short-term timer.  
 Options menu.  
 Power management.  
 Cooktop-based ventilation control (with suitable hood).  
 Home network integration for digital services (Home Connect) wireless via WiFi.  
 The use of the Home Connect functionality depends on the Home Connect services, which are not available in every country. For further information please check: home-connect.com.

**Safety**

Main switch.  
 Operation indicator.  
 Pot detection.  
 2-stage residual heat indication.  
 Child lock.  
 Safety shut-off.

**Planning notes**

Operates with magnetic (induction) iron pots and pans only. For an optimal heat distribution, the use of sandwich bottom cookware is recommended. The wok pan WP 400 001 cannot be used with this appliance. Immersion depth 56 mm. Intermediate shelf is recommended. Appliance must be fixed from underneath. Cooktop clamping range: 20 - 40 mm. Appliance weight: approx. 15 kg.

**Connection**

Total connected load 7.4 kW.

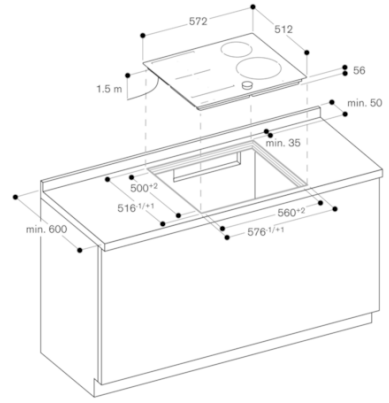
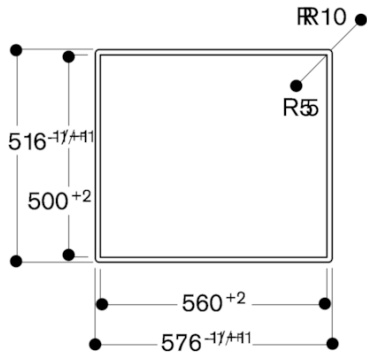
**Characteristics**

**Product name/family**  
 Cooking zone ceramic  
**Construction type**  
 Built-in  
**Energy input**  
 Electric  
**Total number of positions that can be used at the same time**  
 4  
**Type of control setting devices**  
**Required niche size for installation (HxWxD)**  
 56 x 560-576 x 500-516  
**Width of the product (mm)**  
 572  
**Dimensions of the product (mm)**  
 56 x 572 x 512  
**Dimensions of the packed product (HxWxD) (mm)**  
 126 x 753 x 608  
**Net weight (kg)**  
 14.871  
**Gross weight (kg)**  
 16.1  
**Residual heat indicator**  
 Separate  
**Location of control panel**  
 Hob front  
**Type of external control possibility**  
**Basic surface material**  
 Ceramic  
**Color of surface**  
 Black  
**Color of frame**  
**Approval certificates**  
 AENOR, CE  
**Length electrical supply cord (cm)**  
 150  
**Knob Material**  
 Full metal  
**Sealed Burners**  
 No  
**heating with booster**  
 All  
**Type of pan support**  
**Natural Gas Connection Rating (BTU)**  
**LP Gas Connection Rating (BTU)**  
**Dimension of 1st heating element (in)**  
**Power of heating element (kW)**  
**Power of 1st burner (BTU)**  
**Dimension of 2nd heating element (in)**  
**Power of 2nd heating element (kW)**  
 3.3  
**Power of 2nd burner (BTU)**  
**Dimension of 3rd heating element (in)**  
**Power of 3rd heating element (kW)**  
**Power of 3rd burner (BTU)**  
**Dimension of 4th heating element (in)**  
**Power of 4th heating element (kW)**  
**Power of 4th burner (BTU)**  
**Dimension of 5th heating element (in)**  
**Power of 5th heating element (kW)**  
 1.4  
**Power of 5th burner (BTU)**  
**Dimension of 6th heating element (in)**  
**Power of heating element (kW in boost)**  
**Power of 2nd heating element (kW in boost)**  
 3.7  
**Power of 3rd heating element (kW in boost)**  
**Power of 4th heating element (kW in boost)**  
**Power of 5th heating element (kW in boost)**  
 [2.2]  
**Power of 6th heating element (kW in boost)**

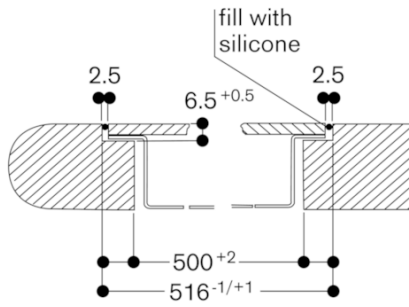
**Consumption and connection features**  
**Electrical connection rating (W)**  
 7400  
**Gas connection rating (W)**  
**Current (A)**  
**Voltage (V)**  
 220-240  
**Frequency (Hz)**  
 60; 50  
**Universal Product Code**

Connecting cable 1.5 m without plug.  
 Power consumption standby/display off 0.5 W.  
 Power consumption standby/network 2.0 W.  
 Please check the user manual for how to switch off the WiFi module.

~~XXXXXXXXXXXXXXXXXXXX~~



Cross section



~~XXXXXXXXXXXXXXXXXXXX~~

