



CI272110
Flex induction cooktop 200 series
Stainless steel frame
Width 70 cm

Sturdy stainless steel frame
Flex function for combining the rectangular cooking areas
Free positioning of cookware inside combined cooking areas
Cooking sensor function for temperature control in pots
Frying sensor function for temperature control in pans
Twist-Pad control with removable magnetic knob
Easy control of all functions with bicoloured display

Color Variants

CI272110
Stainless steel frame
Width 70 cm

Optional accessories

CA051300
Teppan Yaki plate made of multi ply material
CA052300
Griddle plate in cast aluminium
CA060300
Cooking sensor for temperature regulation within pots
CA230100
Black magnetic knob for induction cooktop 200 series
GP900001
Stainless steel frying sensor pan
GP900002
Stainless steel frying sensor pan
GP900003
Stainless steel frying sensor pan

Cooking zones

2 flex induction cooking areas 19x23 cm (2200 W, with booster 3700 W), linked together 38x23 cm (3300 W, with booster 3700 W).
 2 flex induction cooking areas 19x23 cm (2200 W, with booster 3700 W), linked together 38x23 cm (3300 W, with booster 3700 W).

Handling

Twist-Pad control with removable magnetic knob.
 User friendly control with bicoloured display (white / orange).
 Cooking zone and cooking area marking.
 Electronic power control in 17 output levels.

Features

Flex function for rectangular cooking areas.
 Cooking sensor function (in use with cooking sensor CA 060 300).
 Frying sensor function.
 Booster function for pots.
 Booster function for pans.
 Keep warm function.
 Stopwatch.
 Cooking timer for up to 99 minutes.
 Short-term timer.
 Options menu.
 Power management.

Safety

Main switch.
 Operation indicator.
 Pot detection.
 2-stage residual heat indication.
 Child lock.
 Safety shut-off.

Planning notes

Operates with magnetic (induction) iron pots and pans only. For an optimal heat distribution, the use of sandwich bottom cookware is recommended. The wok pan WP 400 001 cannot be used with this appliance. Immersion depth 55 mm. Intermediate shelf is recommended. Appliance must be fixed from underneath.
 Cooktop clamping range: 20 - 40 mm.
 Appliance weight: approx. 16 kg.

Connection

Total connected load 7.4 kW.
 Connecting cable 1.5 m without plug.

Characteristics

Product name/family
 Cooking zone ceramic

Construction type
 Built-in

Energy input
 Electric

Total number of positions that can be used at the same time
 4

Type of control setting devices
 Required niche size for installation (HxWxD)
 55 x 680-680 x 490-490

Width of the product (mm)
 704

Dimensions of the product (mm)
 55 x 704 x 520

Dimensions of the packed product (HxWxD) (mm)
 126 x 953 x 608

Net weight (kg)
 15.990

Gross weight (kg)
 17.5

Residual heat indicator
 Separate

Location of control panel
 Hob front

Type of external control possibility
 Basic surface material
 Ceramic

Color of surface
 Black, Stainless steel

Color of frame
 Stainless steel

Approval certificates
 AENOR, CE

Length electrical supply cord (cm)
 150

Knob Material
 Full metal

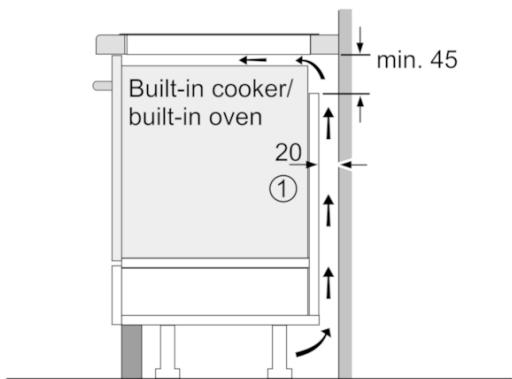
Sealed Burners
 No

heating with booster
 All

Type of pan support
 Natural Gas Connection Rating (BTU)
 LP Gas Connection Rating (BTU)
 Dimension of 1st heating element (in)
 Power of heating element (kW)
 Power of 1st burner (BTU)
 Dimension of 2nd heating element (in)
 Power of 2nd heating element (kW)
 3.3
 Power of 2nd burner (BTU)
 Dimension of 3rd heating element (in)
 Power of 3rd heating element (kW)
 Power of 3rd burner (BTU)
 Dimension of 4th heating element (in)
 Power of 4th heating element (kW)
 Power of 4th burner (BTU)
 Dimension of 5th heating element (in)
 Power of 5th heating element (kW)
 Power of 5th burner (BTU)
 Dimension of 6th heating element (in)
 Power of heating element (kW in boost)
 Power of 2nd heating element (kW in boost)
 3.7
 Power of 3rd heating element (kW in boost)
 Power of 4th heating element (kW in boost)
 Power of 5th heating element (kW in boost)
 Power of 6th heating element (kW in boost)
 3.7

Consumption and connection features
 Electrical connection rating (W)
 7400
 Gas connection rating (W)
 Current (A)
 Voltage (V)
 220-240
 Frequency (Hz)
 50; 60

Universal Product Code



①
Ventilation gap must
be present

All measurements in mm

