



**CI282110**  
**Flex induction cooktop 200 series**  
**Stainless steel frame**  
**Width 80 cm**

**Sturdy stainless steel frame**  
**Flex function for combining the rectangular cooking areas**  
**Free positioning of cookware inside combined cooking areas**  
**Professional cooking function for splitting the cooktop into predefined heat areas**  
**Cooking sensor function for temperature control in pots**  
**Frying sensor function for temperature control in pans**  
**Twist-Pad control with removable magnetic knob**  
**Easy control of all functions with bicoloured display**

#### Cooking zones

2 flex induction cooking areas 19x24 cm (2200 W, with booster 3700 W), linked together 38x24 cm (3300 W, with booster 3700 W).  
 1 induction cooking zone ø 28 cm (2600 W, with booster 3700 W).  
 1 induction cooking zone ø 15 cm (1400 W, with booster 2200 W).

#### Handling

Twist-Pad control with removable magnetic knob.  
 User friendly control with bicoloured display (white / orange).  
 Cooking zone and cooking area marking.  
 Electronic power control in 17 output levels.

#### Features

Flex function for rectangular cooking areas.  
 Professional cooking function.  
 Cooking sensor function (in use with cooking sensor CA 060 300).  
 Frying sensor function.  
 Booster function for pots.  
 Booster function for pans.  
 Keep warm function.  
 Stopwatch.  
 Cooking timer for up to 99 minutes.  
 Short-term timer.  
 Options menu.  
 Power management.

#### Safety

Main switch.  
 Operation indicator.  
 Pot detection.  
 2-stage residual heat indication.  
 Child lock.  
 Safety shut-off.

#### Planning notes

Operates with magnetic (induction) iron pots and pans only. For an optimal heat distribution, the use of sandwich bottom cookware is recommended. The wok pan WP 400 001 cannot be used with this appliance. Immersion depth 55 mm. Intermediate shelf is recommended. Appliance must be fixed from underneath.  
 Cooktop clamping range: 20 - 40 mm.  
 Appliance weight: approx. 17 kg.

#### Connection

Total connected load 7.4 kW.  
 Connecting cable 1.5 m without plug.

#### Characteristics

**Product name/family**  
 Cooking zone ceramic

**Construction type**  
 Built-in

**Energy input**  
 Electric

**Total number of positions that can be used at the same time**  
 4

**Type of control setting devices**  
 Required niche size for installation (HxWxD)  
 55 x 780-780 x 490-490

**Width of the product (mm)**  
 804

**Dimensions of the product (mm)**  
 55 x 804 x 520

**Dimensions of the packed product (HxWxD) (mm)**  
 126 x 953 x 603

**Net weight (kg)**  
 17.056

**Gross weight (kg)**  
 18.5

**Residual heat indicator**  
 Separate

**Location of control panel**  
 Hob front

**Type of external control possibility**  
 Basic surface material  
 Ceramic

**Color of surface**  
 Black, Stainless steel

**Color of frame**  
 Stainless steel

**Approval certificates**  
 AENOR, CE

**Length electrical supply cord (cm)**  
 150

**Knob Material**  
 Full metal

**Sealed Burners**  
 No

**heating with booster**  
 All

**Type of pan support**  
 Natural Gas Connection Rating (BTU)  
 LP Gas Connection Rating (BTU)  
 Dimension of 1st heating element (in)  
 Power of heating element (kW)  
 Power of 1st burner (BTU)  
 Dimension of 2nd heating element (in)  
 Power of 2nd heating element (kW)  
 3.3  
 Power of 2nd burner (BTU)  
 Dimension of 3rd heating element (in)  
 Power of 3rd heating element (kW)  
 Power of 3rd burner (BTU)  
 Dimension of 4th heating element (in)  
 Power of 4th heating element (kW)  
 Power of 4th burner (BTU)  
 Dimension of 5th heating element (in)  
 Power of 5th heating element (kW)  
 2.6  
 Power of 5th burner (BTU)  
 Dimension of 6th heating element (in)  
 Power of heating element (kW in boost)  
 Power of 2nd heating element (kW in boost)  
 3.7  
 Power of 3rd heating element (kW in boost)  
 Power of 4th heating element (kW in boost)  
 Power of 5th heating element (kW in boost)  
 [3.7]  
 Power of 6th heating element (kW in boost)

**Consumption and connection features**  
 Electrical connection rating (W)  
 7400  
 Gas connection rating (W)  
 Current (A)  
 Voltage (V)  
 220-240  
 Frequency (Hz)  
 60; 50

#### Color Variants

CI282110  
 Stainless steel frame  
 Width 80 cm

#### Optional accessories

CA051300  
 Teppan Yaki plate made of multi ply material

CA052300  
 Griddle plate in cast aluminium

CA060300  
 Cooking sensor for temperature regulation within pots

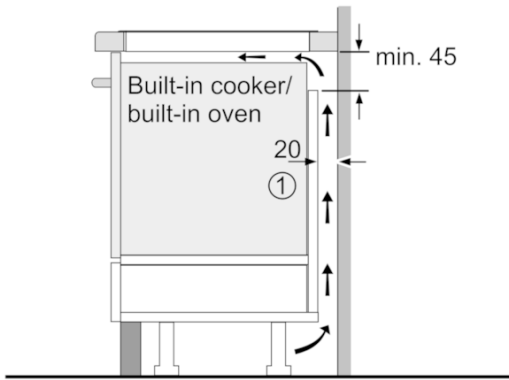
CA230100  
 Black magnetic knob for induction cooktop 200 series

GP900001  
 Stainless steel frying sensor pan

GP900002  
 Stainless steel frying sensor pan

GP900003  
 Stainless steel frying sensor pan

GP900004  
 Stainless steel frying sensor pan



①  
Ventilation gap must  
be present

All measurements in mm

