



CI292100
Flex induction cooktop 200 series
Frameless
Width 90 cm

Frameless for flush mounting
 Flex function for combining the rectangular cooking areas
 Free positioning of cookware inside combined cooking areas
 Professional cooking function for splitting the cooktop into predefined heat areas
 Cooking sensor function for temperature control in pots
 Frying sensor function for temperature control in pans
 Large cooking zone for pots up to ø 32 cm
 Twist-Pad control with removable magnetic knob
 Easy control of all functions with bicoloured display

Cooking zones

2 flex induction cooking areas 19x23 cm (2200 W, with booster 3700 W), linked together 38x23 cm (3300 W, with booster 3700 W).
 2 flex induction cooking areas 19x23 cm (2200 W, with booster 3700 W), linked together 38x23 cm (3300 W, with booster 3700 W).
 1 induction cooking zone ø 21 cm (2200 W, with booster 3700 W), automatically switches to ø 26 cm (2600 W, with booster 3700 W) and to ø 32 cm (3300 W, with booster 3700 W).

Handling

Twist-Pad control with removable magnetic knob.
 User friendly control with bicoloured display (white / orange).
 Cooking zone and cooking area marking.
 Electronic power control in 17 output levels.

Features

Flex function for rectangular cooking areas.
 Professional cooking function.
 Cooking sensor function (in use with cooking sensor CA 060 300).
 Frying sensor function.
 Booster function for pots.
 Booster function for pans.
 Keep warm function.
 Stopwatch.
 Cooking timer for up to 99 minutes.
 Short-term timer.
 Options menu.
 Power management.

Safety

Main switch.
 Operation indicator.
 Pot detection.
 2-stage residual heat indication.
 Child lock.
 Safety shut-off.

Planning notes

Operates with magnetic (induction) iron pots and pans only. For an optimal heat distribution, the use of sandwich bottom cookware is recommended. The wok pan WP 400 001 cannot be used with this appliance. Immersion depth 56 mm. Intermediate shelf is recommended. Appliance must be fixed from underneath.
 Cooktop clamping range: 20 - 40 mm.
 Appliance weight: approx. 21 kg.

Connection

Characteristics

Product name/family
 Cooking zone ceramic

Construction type
 Built-in

Energy input
 Electric

Total number of positions that can be used at the same time
 5

Type of control setting devices
 Required niche size for installation (HxWxD)
 56 x 880-913 x 490-525

Width of the product (mm)
 908

Dimensions of the product (mm)
 56 x 908 x 520

Dimensions of the packed product (HxWxD) (mm)
 126 x 1073 x 603

Net weight (kg)
 21.125

Gross weight (kg)
 23.0

Residual heat indicator
 Separate

Location of control panel
 Hob front

Type of external control possibility
 Basic surface material
 Ceramic

Color of surface
 Black

Color of frame
 Approval certificates
 AENOR, CE

Length electrical supply cord (cm)
 150

Knob Material
 Full metal

Sealed Burners
 No

heating with booster
 All

Type of pan support
Natural Gas Connection Rating (BTU)
LP Gas Connection Rating (BTU)
Dimension of 1st heating element (in)
Power of heating element (kW)
Power of 1st burner (BTU)
Dimension of 2nd heating element (in)
Power of 2nd heating element (kW)
 3.3
Power of 2nd burner (BTU)
Dimension of 3rd heating element (in)
Power of 3rd heating element (kW)
Power of 3rd burner (BTU)
Dimension of 4th heating element (in)
Power of 4th heating element (kW)
Power of 4th burner (BTU)
Dimension of 5th heating element (in)
Power of 5th heating element (kW)
Power of 5th burner (BTU)
Dimension of 6th heating element (in)
Power of heating element (kW in boost)
Power of 2nd heating element (kW in boost)
 3.7
Power of 3rd heating element (kW in boost)
Power of 4th heating element (kW in boost)
Power of 5th heating element (kW in boost)
Power of 6th heating element (kW in boost)
 3.7

Consumption and connection features
Electrical connection rating (W)
 11100
Gas connection rating (W)
Current (A)
Voltage (V)
 220-240
Frequency (Hz)
 60; 50
Universal Product Code
 825225936336

Total connected load 11.1 kW.
 Connecting cable 1.5 m without plug.

Color Variants

CI292100
 Frameless
 Width 90 cm

Optional accessories

CA051300
 Teppan Yaki plate made of multi ply material

CA052300
 Griddle plate in cast aluminium

CA060300
 Cooking sensor for temperature regulation within pots

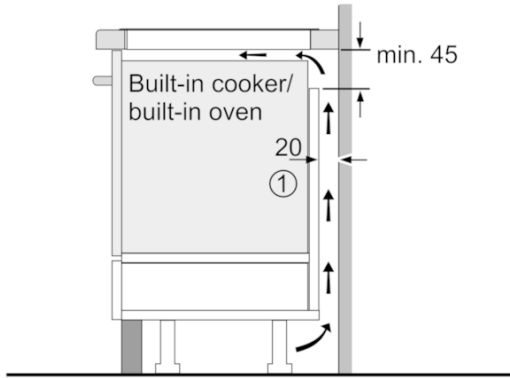
CA230100
 Black magnetic knob for induction cooktop 200 series

GP900001
 Stainless steel frying sensor pan

GP900002
 Stainless steel frying sensor pan

GP900003
 Stainless steel frying sensor pan

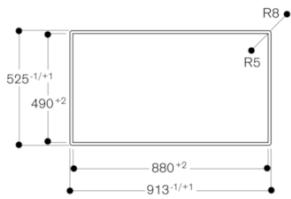
GP900004
 Stainless steel frying sensor pan



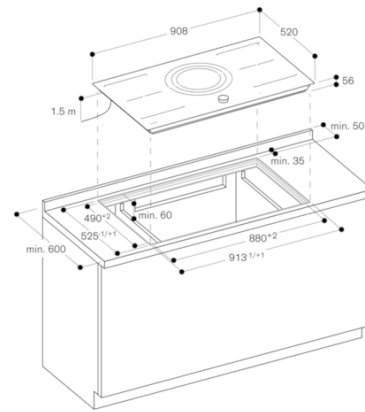
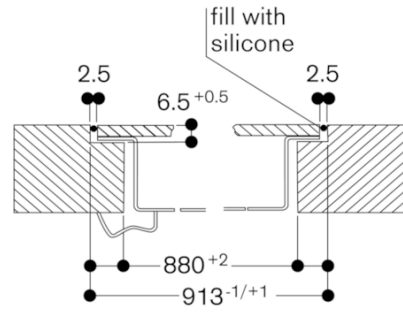
①
 Ventilation gap must
 be present

All measurements in mm

View from above



Longitudinal section



Cross section

