



CI292110
Flex induction cooktop 200 series
Stainless steel frame
Width 90 cm

Sturdy stainless steel frame
 Flex function for combining the rectangular cooking areas
 Free positioning of cookware inside combined cooking areas
 Professional cooking function for splitting the cooktop into predefined heat areas
 Cooking sensor function for temperature control in pots
 Frying sensor function for temperature control in pans
 Large cooking zone for pots up to ø 32 cm
 Twist-Pad control with removable magnetic knob
 Easy control of all functions with bicoloured display

Cooking zones

2 flex induction cooking areas 19x23 cm (2200 W, with booster 3700 W), linked together 38x23 cm (3300 W, with booster 3700 W).
 2 flex induction cooking areas 19x23 cm (2200 W, with booster 3700 W), linked together 38x23 cm (3300 W, with booster 3700 W).
 1 induction cooking zone ø 21 cm (2200 W, with booster 3700 W), automatically switches to ø 26 cm (2600 W, with booster 3700 W) and to ø 32 cm (3300 W, with booster 3700 W).

Handling

Twist-Pad control with removable magnetic knob.
 User friendly control with bicoloured display (white / orange).
 Cooking zone and cooking area marking.
 Electronic power control in 17 output levels.

Features

Flex function for rectangular cooking areas.
 Professional cooking function.
 Cooking sensor function (in use with cooking sensor CA 060 300).
 Frying sensor function.
 Booster function for pots.
 Booster function for pans.
 Keep warm function.
 Stopwatch.
 Cooking timer for up to 99 minutes.
 Short-term timer.
 Options menu.
 Power management.

Safety

Main switch.
 Operation indicator.
 Pot detection.
 2-stage residual heat indication.
 Child lock.
 Safety shut-off.

Planning notes

Operates with magnetic (induction) iron pots and pans only. For an optimal heat distribution, the use of sandwich bottom cookware is recommended. The wok pan WP 400 001 cannot be used with this appliance. Immersion depth 55 mm. Intermediate shelf is recommended. Appliance must be fixed from underneath. Cooktop clamping range: 20 - 40 mm. Appliance weight: approx. 22 kg.

Connection

Characteristics

Product name/family	Flex induction cooktop 200 series
Cooking zone ceramic	Black, Stainless steel
Construction type	Built-in
Energy input	Electric
Total number of positions that can be used at the same time	5
Type of control setting devices	Twist-Pad control with removable magnetic knob
Required niche size for installation (HxWxD)	55 x 880-880 x 490-490
Width of the product (mm)	908
Dimensions of the product (mm)	55 x 908 x 520
Dimensions of the packed product (HxWxD) (mm)	126 x 1073 x 603
Net weight (kg)	22.165
Gross weight (kg)	24.0
Residual heat indicator	Separate
Location of control panel	Hob front
Type of external control possibility	None
Basic surface material	Ceramic
Color of surface	Black, Stainless steel
Color of frame	Stainless steel
Approval certificates	AENOR, CE
Length electrical supply cord (cm)	150
Knob Material	Full metal
Sealed Burners	No
heating with booster	All
Type of pan support	None
Natural Gas Connection Rating (BTU)	None
LP Gas Connection Rating (BTU)	None
Dimension of 1st heating element (in)	8.3
Power of heating element (kW)	2.5
Power of 1st burner (BTU)	8500
Dimension of 2nd heating element (in)	8.3
Power of 2nd heating element (kW)	2.5
Power of 2nd burner (BTU)	8500
Dimension of 3rd heating element (in)	8.3
Power of 3rd heating element (kW)	2.5
Power of 3rd burner (BTU)	8500
Dimension of 4th heating element (in)	8.3
Power of 4th heating element (kW)	2.5
Power of 4th burner (BTU)	8500
Dimension of 5th heating element (in)	8.3
Power of 5th heating element (kW)	2.5
Power of 5th burner (BTU)	8500
Dimension of 6th heating element (in)	8.3
Power of heating element (kW in boost)	3.7
Power of 2nd heating element (kW in boost)	3.7
Power of 3rd heating element (kW in boost)	3.7
Power of 4th heating element (kW in boost)	3.7
Power of 5th heating element (kW in boost)	3.7
Power of 6th heating element (kW in boost)	3.7
Consumption and connection features	
Electrical connection rating (W)	11100
Gas connection rating (W)	None
Current (A)	50
Voltage (V)	220-240
Frequency (Hz)	60; 50
Universal Product Code	

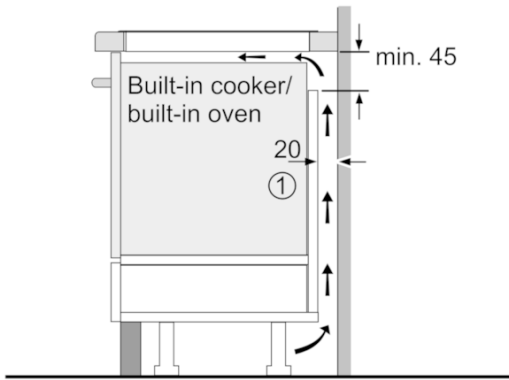
Total connected load 11.1 kW.
 Connecting cable 1.5 m without plug.

Color Variants

CI292110
Stainless steel frame
Width 90 cm

Optional accessories

CA051300
Teppan Yaki plate made of multi ply material
CA052300
Griddle plate in cast aluminium
CA060300
Cooking sensor for temperature regulation within pots
CA230100
Black magnetic knob for induction cooktop 200 series
GP900001
Stainless steel frying sensor pan
GP900002
Stainless steel frying sensor pan
GP900003
Stainless steel frying sensor pan
GP900004
Stainless steel frying sensor pan



①
Ventilation gap must
be present

All measurements in mm

