



CM470712

**Fully automatic espresso machine 400 series
Stainless steel behind glass, Fixed water
connection**

CM470712

- The TFT touch display makes personalising your perfect coffee easy. Choose between 12 coffee options and make up to 15 different options by adjusting coffee strength, temperature and milk volume
- Save up to 8 individualised beverages
- Two cup brewing simultaneously
- Water, bean and milk levels
- Handleless door / automatic door opening

Fixed inlet and outlet water connection for convenient handling.

Continuous flow heater means no waiting time and constant brewing temperature.

Aroma brewing technology for a full aroma

Single portion cleaning

TFT touch display

Panel-free appliance with surface control module

One-touch operation.

Personalisation function

7 light settings

Electronic fill level control for milk, water and coffee for a perfect result.

Type of beverage

Ristretto / 2 x Ristretto.

Espresso / 2 x Espresso. Espresso Macchiato / 2 x Espresso Macchiato. Coffee / 2 x Coffee.

Americano / 2 x Americano. Caffè Latte / 2 x

Caffè Latte. Latte Macchiato / 2 x Latte

Macchiato. Cappuccino / 2 x Cappuccino. Flat

White / 2 x Flat White. Milk froth / 2 x Milk froth.

Warm milk / 2 x Warm milk. Hot water / 2 x Hot water.

Handling

Automatic door opening.

Rotary knob and TFT touch display operation.

Clear text display.

Personalisation function, option to save 8 individualised beverages.

4 beverage size settings, volume can be individually adjusted to match the size of the cup.

8 coffee strength levels from very mild to extra strong.

3 coffee temperature levels.

8 hot water temperature levels.

4 coffee-milk ratio levels.

Adjustable grinding level.

Height-adjustable beverage dispenser 7 cm to 15 cm.

Easy access to water tank, milk and coffee bean container behind the door.

Features

Maintenance-free grinding unit with ceramic discs.

Separate drawer for second ground coffee type.

Water pump with 19 bar pressure.

Double grinding and brewing cycles for extra intensity for single beverage order.

For double beverage order, two grinding and brewing cycles.

Beverage dispenser with integrated milk system.

Insulated stainless steel milk container for up to 0.5 litres.

Integrated lightning with LEDs.

Removable bean container with aroma protecting lid for 500 g allows for an effortless exchange of different types of coffee beans.

Automatic adjustment of ground coffee quantity.

Removable 2.4 litre water tank.

Electronic water filter exchange indicator.

Electronic fill level control for drip tray and container for coffee residue.

Hint: for energy-saving, the appliance switches to standby mode automatically after about 30 minutes. This timespan can be changed in the basic settings.

Selected digital services (Gaggeneau Home Connect)

Coffee World: extended choice of coffee specialities from all over the world.

Remote control and monitoring.

Home network integration for digital services

(Home Connect) either via cable connection LAN (recommended) or wireless via WiFi.

The use of the Home Connect functionality depends on the Home Connect services, which are not available in every country. For further information please check: home-connect.com.

Safety

Child lock.

Aqua stop.

Cleaning

Fully automatic rinse programme when machine is turned on/off.

Automatic steam cleaning of the milk system after every milk-based beverage.

Automatic cleaning and descaling programme.

Emptying programme to prepare the appliance for holiday or transportation.

Removable brewing unit.

Dishwasher-safe coffee residue container and drip tray.

Dishwasher-safe beverage dispenser.

Planning notes

Door hinge not reversible.

Ideal installation height 95 cm to 145 cm (top edge of niche bottom).

The door panel surface of the appliance extends 47 mm from the furniture cavity.

When installing in a corner a side clearance is required.

Door opening angle appr. 110° (delivery status) - mounting distance to the wall has to be at least 350 mm.

Door opening angle appr. 155° - mounting distance to the wall has to be at least 650 mm.

Door opening angle appr. 92° - mounting distance to the wall has to be at least 100 mm (spare part No. 00636455).

Installation directly above 14 cm high warming drawer in 59 cm standardised niche.

At no point may the outlet hose be positioned higher than the bottom edge of the appliance.

The outlet hose must also be at least 150 mm lower than the appliance outlet (see drawing "drainage connection").

If the appliance is placed too far from the main siphon, the drain system has to be adjusted on-site (building installation).

The water connection for the inlet hose must always be accessible and not located directly behind the appliance.

The connection of the outlet hose to the siphon must not be directly behind the appliance and should be accessible.

Special accessories (order as spare parts):

Part No. 12008246 Water filter Part No.

00311820 Descaling tablets Part No. 00311823

Cleaning tablets Part No. 00636455 Door hinge restrictor (92° opening angle) Part No.

11015223 Bean container with lid

Connection

Total connected load 1.6 KW.

Connection cable 1.0 m with plug.

Only cold water connection.

Inlet hose 165 cm with 3/4 " (26.4 mm) connection, extendable.

Outlet hose (ø 18 mm) 170 cm (HT-Hose).

Plan a LAN cable.

Power consumption standby/display off 0.5 W.

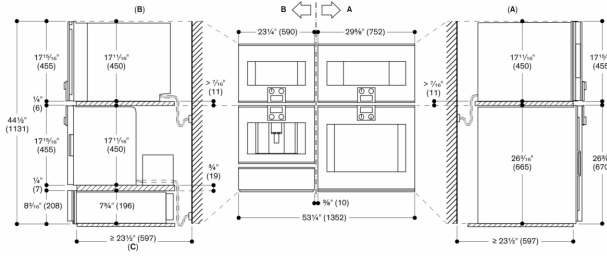
Power consumption standby/network 2.0 W.

Time auto-standby/display off 30 min.

Time auto-standby/network 30 min.

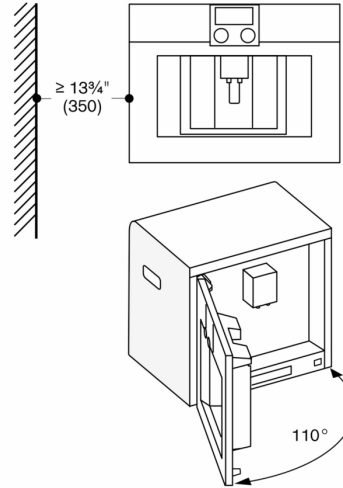
Please check the user manual for how to switch off the WiFi module.

Combination of 4 with 24" and 30" wide products



For detailed information regarding the plumbing requirements (CM470 and combi-steam oven appliances) please refer to the individual planning notes
 C: Depth including CM transformer
 measurements in inches (mm)

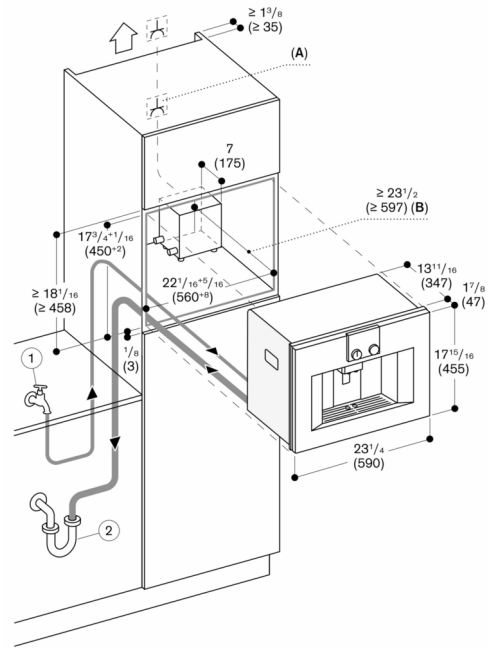
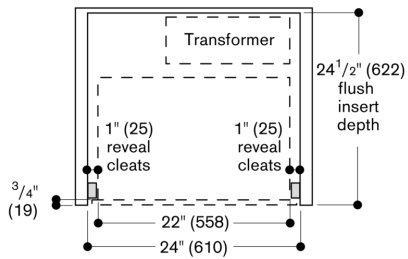
Left corner installation



If using the 92° door hinge restrictor (spare part no. 00636455), the minimum distance from the wall is only 4" (100).

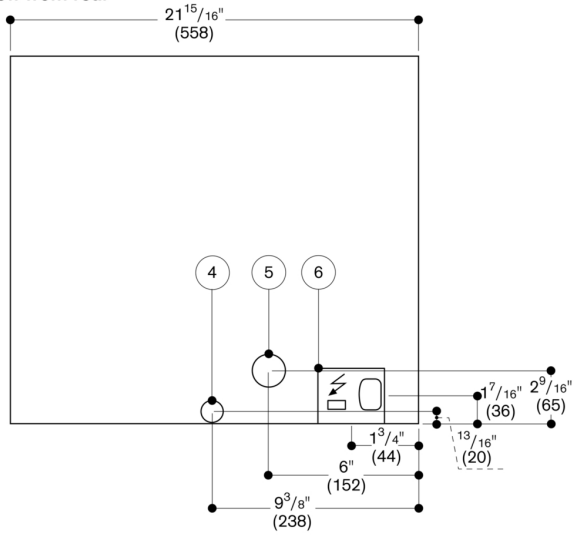
measurements in inches (mm)

Top view



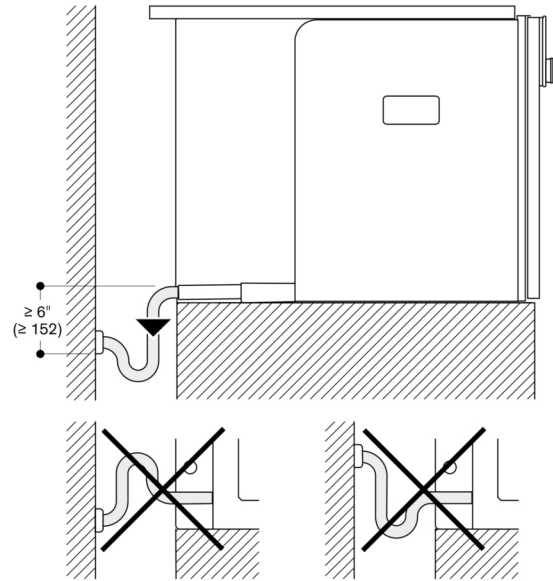
A: Socket
 B: Depth incl. transformer
 Measurements in inches (mm)

View from rear



- (4) Water outlet
- (5) Cold-water connection
- (6) Electric terminal box

Drainage connection



measurements in inches (mm)