



**CMP270111**  
**Fully automatic espresso machine 200 series**  
**Full glass door in Gaggenau Metallic**  
**Width 60 cm**  
**Controls at the top**

Handless door / cushioned door closing system  
 Fixed inlet and outlet water connection  
 Continuous flow heater means no waiting time and constant brewing temperature  
 Aroma brewing technology for a full aroma  
 Single portion cleaning  
 TFT touch display  
 Panel-free appliance with surface control module  
 One-touch operation  
 Personalisation function  
 7 light settings  
 Electronic fill level control for milk, water and coffee to ensure a perfect result

**Type of beverage**  
 Ristretto / 2 x Ristretto.  
 Espresso / 2 x Espresso.  
 Espresso Macchiato / 2 x Espresso Macchiato.  
 Coffee / 2 x Coffee.  
 Americano / 2 x Americano.  
 Caffè Latte / 2 x Caffè Latte.  
 Latte Macchiato / 2 x Latte Macchiato.  
 Cappuccino / 2 x Cappuccino.  
 Flat White / 2 x Flat White.  
 Milk froth / 2 x Milk froth.  
 Warm milk / 2 x Warm milk.  
 Hot water / 2 x Hot water.

**Handling**  
 Door with cushioned door closing system.  
 Rotary knob and TFT touch display operation.  
 Clear text display.  
 Personalisation function, option to save 8 individualised beverages.  
 4 beverage size settings, volume can be individually adjusted to match the size of the cup.  
 8 coffee strength levels from very mild to extra strong.  
 3 coffee temperature levels.  
 10 hot water temperature levels.  
 4 coffee-milk ratio levels.  
 Adjustable grinding level.  
 Height-adjustable coffee dispenser 7 cm to 15 cm.  
 Easy access to water tank, milk and coffee bean container behind the door.

**Features**  
 Maintenance-free grinding unit with ceramic discs.  
 Separate drawer for second ground coffee type.  
 Water pump with 19 bar pressure.  
 Double grinding and brewing cycles for extra intensity for single beverage order.  
 For double beverage order, two grinding and brewing cycles.  
 Beverage dispenser with integrated milk system.  
 Insulated stainless steel milk container for up to 0.5 litres.  
 Integrated lightning with LEDs.  
 Removable bean container with aroma protecting lid for 500 g allows for an effortless exchange of different types of coffee beans.  
 Automatic adjustment of ground coffee quantity.  
 Removable 2.4 litre water tank.

**Color Variants**

**CMP270111**  
**Full glass door in Gaggenau Metallic**  
**Width 60 cm**  
**CMP270131**  
**Full glass door in Gaggenau Silver**  
**Width 60 cm**

**Included accessories**

1 x assembly screws.  
 1 x scoop.  
 1 x test strip.  
 1 x milk container (insulated).  
 1 x connection hose for milk frother.  
 1 x milk pipe.

**Characteristics**  
**Built-in / Free-standing**  
 Built-in  
**Frothing nozzle**  
 No  
**Display**  
 No  
**Water protection system**  
 no  
**Portion sizes**  
 All cups  
**Dimensions**  
 455 x 590 x 519  
**Dimensions of the packed product (HxWxD)**  
 540 x 478 x 670  
**Required niche size for installation (HxWxD)**  
 449 x 558 x 356  
**Hot water spout**  
 No  
**Adjustable programs**  
**Standby function**  
 Yes  
**Pump pressure**  
 19  
**Simultaneous preparation of 2 cups**  
 Yes  
**Included accessories**  
 1 x assembly screws, 1 x scoop, 1 x test strip, 1 x milk container (insulated), 1 x connection hose for milk frother, 1 x milk pipe  
**Optional accessories**  
**Electrical connection rating**  
 1600  
**Fuse protection**  
 10  
**Voltage**  
 220-240  
**Frequency**  
 50/60  
**Plug type**  
 Gardy plug w/ earthing  
**Product group**  
 Built-in coffee machine  
**Brand**  
 Gaggenau  
**Product name/family**  
**Product name / Commercial code**  
 CMP270111  
**Universal Product Code**  
**Main colour of product**  
 Metallic  
**Typology**  
 Fully automatic  
 Australia Standards, CCC, CE, Eurasian, VDE  
**Length electrical supply cord**  
 170.0  
**Length of electrical supply cord (in)**  
**Recommended height for installation (in)**  
**Recommended height for installation**  
 449  
**Appliance Dimensions (h x w x d) (in)**  
**Dimensions**  
 455 x 590 x 519  
**Dimensions of the packed product**  
**Dimensions of the pallet (in)**  
**Dimensions of the packed product (HxWxD)**  
 540 x 478 x 670  
 46  
**Net weight**  
 21.054  
 52  
**Gross weight**  
 23.8  
**Capacity water container**  
 2.4  
**Consumption and connection features**  
 2021-09-29  
 Page 1

Electronic water filter exchange indicator.  
 Fresh water-function to refill the water tank with fresh water.  
 Electronic fill level control for drip tray and container for coffee residue.

**Safety**

Child lock.  
 Aqua stop.

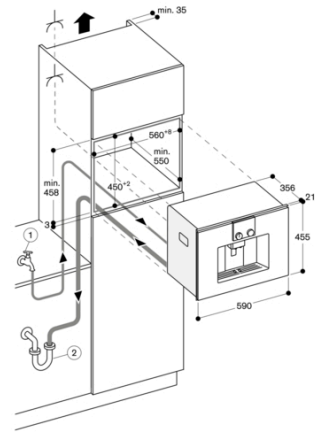
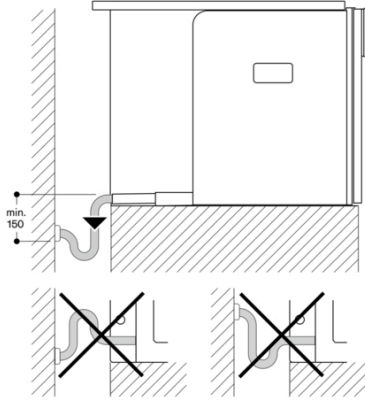
**Cleaning**

Fully automatic rinse programme when machine is turned on/off.  
 Automatic steam cleaning of the milk system after every beverage.  
 Automatic cleaning and descaling programme.  
 Emptying programme to prepare the appliance for holiday or transportation.  
 Empty-grinding function to remove coffee residues from the system when switching bean types.  
 Removable brewing unit.  
 Dishwasher-safe coffee residue container and drip tray.  
 Dishwasher-safe beverage dispenser.

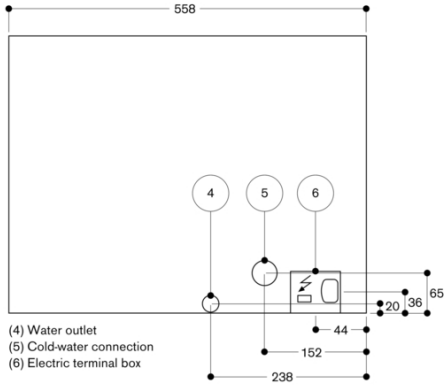
**Planning notes**

Ideal installation height 95 cm to 145 cm (top edge of niche bottom).  
 Necessary lateral gap between appliance front and furniture panel of min. 5 mm.  
 The door panel surface of the appliance extends 21 mm from the furniture cavity.  
 When installing in a corner a side clearance is required.  
 Door opening angle appr. 110° (delivery status) - mounting distance to the wall has to be at least 350 mm.  
 Door opening angle appr. 155° - mounting distance to the wall has to be at least 650 mm.  
 Door opening angle appr. 92° - mounting distance to the wall has to be at least 100 mm (spare part No. 00636455).  
 Installation directly above 14 cm high warming drawer in 59 cm standardised niche.  
 At no point may the outlet hose be positioned higher than the bottom edge of the appliance. The outlet hose must also be at least 150 mm lower than the appliance outlet (see drawing "drainage connection").  
 If the appliance is placed too far from the main siphon, the drain system has to be adjusted on-site (building installation).  
 The water connection (1) for the inlet hose must always be accessible and not located directly behind the appliance.  
 The connection of the outlet hose to the siphon (2) must not be directly behind the appliance and should be accessible.  
 Special accessories (order as spare parts):  
 Part No. 17000705 Water filter  
 Part No. 00311819 Descaling tablets  
 Part No. 00311769 Descaling tablets  
 Part No. 00636455 Door hinge restrictor (92° opening angle)  
 Part No. 11015223 Bean container with lid  
**Connection**  
 Total connected load 1.6 KW.  
 Connection cable 1.7 m, pluggable.  
 Only cold water connection.  
 Inlet hose 165 cm with 3/4" (26.4 mm) connection, extendable.  
 Outlet hose (ø 18 mm) 170 cm (HT-Hose).

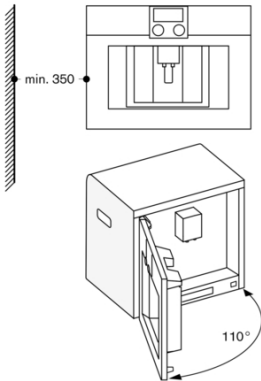
**Drainage connection**



**View from rear**



**Left corner installation**



If using the 92° door hinge restrictor (spare part no. 00636455), the minimum distance from the wall is only 100 mm.