



CMP270131
Fully automatic espresso machine 200 series
Full glass door in Gaggenau Silver
Width 60 cm
Controls at the top

Handless door / cushioned door closing system
 Fixed inlet and outlet water connection
 Continuous flow heater means no waiting time and constant brewing temperature
 Aroma brewing technology for a full aroma
 Single portion cleaning
 TFT touch display
 Panel-free appliance with surface control module
 One-touch operation
 Personalisation function
 7 light settings
 Electronic fill level control for milk, water and coffee to ensure a perfect result

Type of beverage

Ristretto / 2 x Ristretto.
 Espresso / 2 x Espresso.
 Espresso Macchiato / 2 x Espresso Macchiato.
 Coffee / 2 x Coffee.
 Americano / 2 x Americano.
 Caffè Latte / 2 x Caffè Latte.
 Latte Macchiato / 2 x Latte Macchiato.
 Cappuccino / 2 x Cappuccino.
 Flat White / 2 x Flat White.
 Milk froth / 2 x Milk froth.
 Warm milk / 2 x Warm milk.
 Hot water / 2 x Hot water.

Handling

Door with cushioned door closing system.
 Rotary knob and TFT touch display operation.
 Clear text display.
 Personalisation function, option to save 8 individualised beverages.
 4 beverage size settings, volume can be individually adjusted to match the size of the cup.
 8 coffee strength levels from very mild to extra strong.
 3 coffee temperature levels.
 10 hot water temperature levels.
 4 coffee-milk ratio levels.
 Adjustable grinding level.
 Height-adjustable coffee dispenser 7 cm to 15 cm.
 Easy access to water tank, milk and coffee bean container behind the door.

Features

Maintenance-free grinding unit with ceramic discs.
 Separate drawer for second ground coffee type.
 Water pump with 19 bar pressure.
 Double grinding and brewing cycles for extra intensity for single beverage order.
 For double beverage order, two grinding and brewing cycles.
 Beverage dispenser with integrated milk system.
 Insulated stainless steel milk container for up to 0.5 litres.
 Integrated lightning with LEDs.
 Removable bean container with aroma protecting lid for 500 g allows for an effortless exchange of different types of coffee beans.
 Automatic adjustment of ground coffee quantity.
 Removable 2.4 litre water tank.

Characteristics

Built-in / Free-standing
 Built-in
Frothing nozzle
 No
Display
 No
Water protection system
 no
Portion sizes
 All cups
Dimensions
 455 x 590 x 519
Dimensions of the packed product (HxWxD)
 540 x 478 x 670
Required niche size for installation (HxWxD)
 449 x 558 x 356
Hot water spout
 No
Adjustable programs
Standby function
 Yes
Pump pressure
 19
Simultaneous preparation of 2 cups
 Yes
Included accessories
 1 x assembly screws, 1 x scoop, 1 x test strip, 1 x milk container (insulated), 1 x connection hose for milk frother, 1 x milk pipe
Optional accessories
Electrical connection rating
 1600
Fuse protection
 10
Voltage
 220-240
Frequency
 50/60
Plug type
 Gardy plug w/ earthing
Product group
 Built-in coffee machine
Brand
 Gaggenau
Product name/family
Product name / Commercial code
 CMP270131
Universal Product Code
Main colour of product
 Silver
Typology
 Fully automatic
 Australia Standards, CCC, CE, Eurasian, VDE
Length electrical supply cord
 170.0
Length of electrical supply cord (in)
Recommended height for installation (in)
Recommended height for installation
 449
Appliance Dimensions (h x w x d) (in)
Dimensions
 455 x 590 x 519
Dimensions of the packed product
Dimensions of the pallet (in)
Dimensions of the packed product (HxWxD)
 540 x 478 x 670
 47
Net weight
 21.194
 53
Gross weight
 23.9
Capacity water container
 2.4
Consumption and connection features
 2021-09-28
 Page 1

Electronic water filter exchange indicator.
 Fresh water-function to refill the water tank with fresh water.
 Electronic fill level control for drip tray and container for coffee residue.

Safety

Child lock.
 Aqua stop.

Cleaning

Fully automatic rinse programme when machine is turned on/off.
 Automatic steam cleaning of the milk system after every beverage.
 Automatic cleaning and descaling programme.
 Emptying programme to prepare the appliance for holiday or transportation.
 Empty-grinding function to remove coffee residues from the system when switching bean types.
 Removable brewing unit.
 Dishwasher-safe coffee residue container and drip tray.
 Dishwasher-safe beverage dispenser.

Planning notes

Ideal installation height 95 cm to 145 cm (top edge of niche bottom).
 Necessary lateral gap between appliance front and furniture panel of min. 5 mm.
 The door panel surface of the appliance extends 21 mm from the furniture cavity.
 When installing in a corner a side clearance is required.
 Door opening angle appr. 110° (delivery status) - mounting distance to the wall has to be at least 350 mm.
 Door opening angle appr. 155° - mounting distance to the wall has to be at least 650 mm.
 Door opening angle appr. 92° - mounting distance to the wall has to be at least 100 mm (spare part No. 00636455).
 Installation directly above 14 cm high warming drawer in 59 cm standardised niche.
 At no point may the outlet hose be positioned higher than the bottom edge of the appliance. The outlet hose must also be at least 150 mm lower than the appliance outlet (see drawing "drainage connection").
 If the appliance is placed too far from the main siphon, the drain system has to be adjusted on-site (building installation).
 The water connection (1) for the inlet hose must always be accessible and not located directly behind the appliance.
 The connection of the outlet hose to the siphon (2) must not be directly behind the appliance and should be accessible.
 Special accessories (order as spare parts):
 Part No. 17000705 Water filter
 Part No. 00311819 Descaling tablets
 Part No. 00311769 Descaling tablets
 Part No. 00636455 Door hinge restrictor (92° opening angle)
 Part No. 11015223 Bean container with lid
Connection
 Total connected load 1.6 KW.
 Connection cable 1.7 m, pluggable.
 Only cold water connection.
 Inlet hose 165 cm with 3/4" (26.4 mm) connection, extendable.
 Outlet hose (ø 18 mm) 170 cm (HT-Hose).

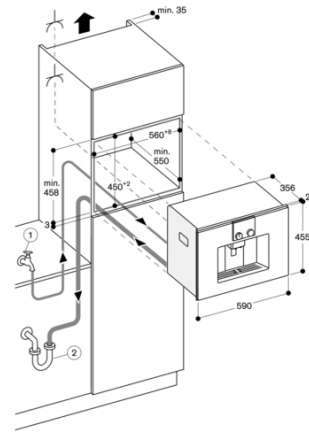
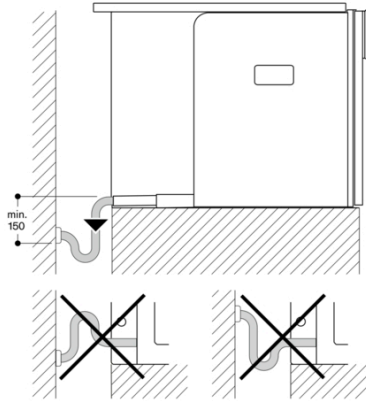
Color Variants

CMP270131
Full glass door in Gaggenau Silver
Width 60 cm
CMP270111
Full glass door in Gaggenau Metallic
Width 60 cm

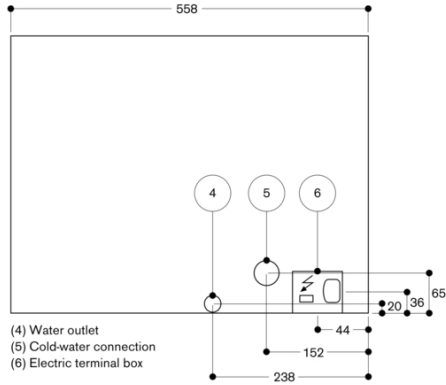
Included accessories

1 x assembly screws.
 1 x scoop.
 1 x test strip.
 1 x milk container (insulated).
 1 x connection hose for milk frother.
 1 x milk pipe.

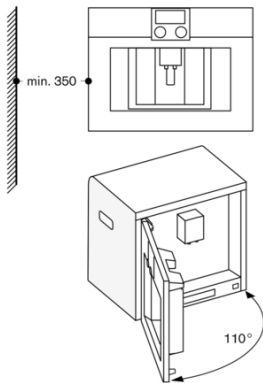
Drainage connection



View from rear



Left corner installation



If using the 92° door hinge restrictor (spare part no. 00636455), the minimum distance from the wall is only 100 mm.