



CX492110
Full surface induction cooktop 400 series
Stainless steel frame
Width 90 cm

One single big cooking surface
Free positioning of cookware
All sizes and formats of cookware can be used
TFT touch display for an intuitive control of all functions
Cooking sensor function for temperature control in pots
Professional cooking functions
Max. power output for big cookware of up to 5.5 KW
Precision crafted 3 mm stainless steel for surface mounting with a visible edge or for flush mounting
Can be combined perfectly with other Vario appliances of the 400 series

Cooking zones
One unique cooking surface of 3200 cm².
Up to 6 items of cookware can be placed simultaneously on the cooktop.

Handling
Easy to use colour graphic TFT touch display with use indications.
Electronic power control in 17 output levels.

Features
Cooking sensor function.
Professional cooking function.
Dynamic cooking function.
Teppan Yaki function.
Booster function for pots.
Booster function for pans.
Keep warm function.
Individual pot detection.
Cooking timer for each cooking position.
Stopwatch.
Short-term timer.
Information key with use indicators.
Power management.
Cooktop-based ventilation control (with suitable hood).
Home network integration for digital services (Home Connect) wireless via WiFi.
The use of the Home Connect functionality depends on the Home Connect services, which are not available in every country. For further information please check: home-connect.com.

Safety
Main switch.
Residual heat indication.
Child lock.
Safety shut-off.
Pause function.

Planning notes
Depending on the type of installation (surface-mounted or flush-mounted), the specific definition of the cut-out must be observed.
If combining several Vario appliances of the 400 series, a connection strip VA 420 must be placed between the appliances. Depending on the type of installation, the corresponding connection strip must be provided.
The bearing capacity and stability, in the case of thin worktops in particular, must be supported using suitable substructures. Take into account the appliance weight and additional loads.
Additional instructions for flush mounting:

Color Variants

CX492110
Stainless steel frame
Width 90 cm

Included accessories

1 x wireless temperature sensor for cooktop.

Optional accessories

CA060300
Cooking sensor for temperature regulation within pots
GN232110
Teppan Yaki plate made of multi ply material,
GN232230
Teppan Yaki plate made of multi ply material,

Installation Accessories

VA420000
Connection strip for combination with other Vario appliances of the 400 series for flush mounting
VA420010
Connection strip for combination with other Vario appliances of the 400 series for surface mounting

Characteristics

Product name/family
Cooking zone ceramic

Construction type
Built-in

Energy input
Electric

Total number of positions that can be used at the same time
6

Type of control setting devices
Required niche size for installation (HxWxD)
65 x 887-887 x 492-492

Width of the appliance
908

Dimensions
65 x 908 x 520

Dimensions of the packed product (HxWxD)
152 x 1080 x 636

Net weight
31.023

Grill weight
33.2

Residual heat indicator
Separate

Location of control panel
Hob front

Type of external control possibility
Basic surface material

Color of surface
anthracite, Stainless steel

Color of frame
Stainless steel

Approval certificates
AENOR, CE

Length electrical supply cord
150

Knob Material
No

heating with booster
All

Type of pan support
Natural Gas Connection Rating
LP Gas Connection Rating

Dimension of 1st heating element (in)
Power of heating element (kW)
3.5

Power of 1st burner
Dimension of 2nd heating element (in)
Power of 2nd heating element (kW)
Power of 2nd burner
Dimension of 3rd heating element (in)
Power of 3rd heating element (kW)
Power of 3rd burner (BTU)
Dimension of 4th heating element (in)
Power of 4th heating element (kW)
Power of 4th burner (BTU)
Dimension of 5th heating element (in)
Power of 5th heating element (kW)
Power of 5th burner
Dimension of 6th heating element (in)
Power of heating element (kW in boost)
[5.5]

Power of 3rd heating element (kW in boost)
Power of 4th heating element (kW in boost)
Power of 5th heating element (kW in boost)
Power of 6th heating element (kW in boost)

Connection rating
7400

Gas connection rating
Fuse protection

Voltage
220-240

Frequency
60; 50

Universal Product Code
Main colour of product
anthracite

Energy input
Electric

Gas type
Alternative gas type
Approval certificates

Installation is possible in worktops made of stone, synthetics or solid wood. Heat resistance and watertight sealing of the cut edges must be observed. Concerning other materials please consult the worktop manufacturer.

The groove must be continuous and even, so that uniform placing of the appliance on the gasket is ensured. Do not use discontinuous lining.

The joint width may vary due to size tolerances of the combinations and of the worktop cut-out.

If installing several appliances in individual cut-outs allow for a division bar of minimum 50 mm between the individual cut-outs.

Operates with magnetic (induction) iron pots and pans only. For an optimal heat distribution, the use of sandwich bottom cookware is recommended.

The wok pan WP 400 001 cannot be used with this appliance.

Appliance can be snapped into the worktop from above.

Appliance weight: approx. 31 kg.

Connection

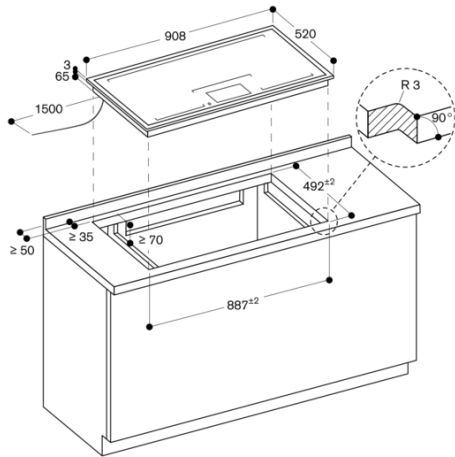
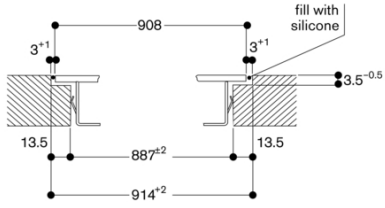
Total connected load 7.4 KW.

Connecting cable 1.5 m without plug.
Power consumption standby/display off 0.5 W.

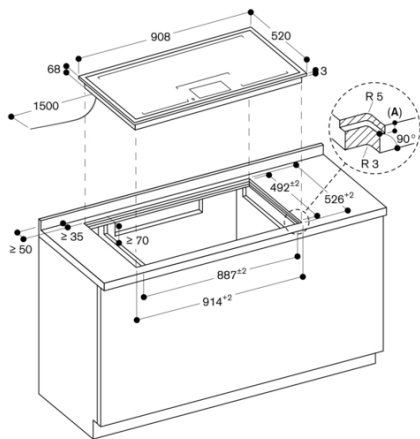
Power consumption standby/network 2.0 W.

Please check the user manual for how to switch off the WiFi module.

Longitudinal section

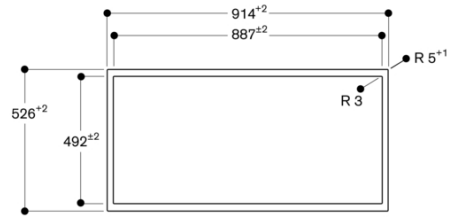


measurements in mm



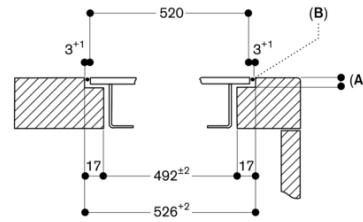
A: 3.5^{±0.5}
 measurements in mm

View from above



measurements in mm

Cross-section



A: 3.5^{±0.5}
 B: Fill with silicone
 measurements in mm