



**DF250141**  
**Dishwasher 200 series**  
**Fully integrated**  
**Height 81.5 cm, width 45 cm**



Optimal protection for sensitive glassware by low temperature drying with zeolite and intelligent water softening  
 6 programmes with aqua sensor and 2 options, Power and Intensive:  
 Clean and dry dishes in 65 minutes  
 Intensive cleaning in the lower basket while protecting glassware in the upper basket  
 Flexible basket system including cutlery drawer for optimal loading  
 Remaining time projection onto the kitchen floor  
 Bright interior lighting  
 Very quiet: 44 dB  
 Aqua stop  
 Energy efficiency class A+++

**Handling**  
 Display indicating remaining or end time, refill for salt and rinsing agent, inflow of water.  
 Time delay up to 24 hours.  
 Visual and acoustic end of programme indicator.  
 Remaining time projection.

**Technical Features**  
 Bright interior lighting.  
 Glass protection with zeolite.  
 Aqua sensor.  
 Load sensor.  
 Detergent recognition.  
 Regeneration electronics.  
 Heat exchanger.  
 Continuous flow heater.  
 Triple filter system.  
 Soft lock.  
 Aqua stop.

**Programmes**  
 6 programmes:  
 Auto 35 °C - 45 °C.  
 Auto 45 °C - 65 °C.  
 Auto 65 °C - 75 °C.  
 Eco 50 °C.  
 Quick wash 45 °C (29 min.).  
 Pre-rinse.  
 2 options:  
 Intensive.  
 Power.

**Features**  
 Flexible basket system.  
 Cutlery drawer.  
 Upper basket:  
 Rackmatic with 3 levels, adjustable in height up to 5 cm.  
 3 folding spines.  
 1 folding rack.  
 Lower basket:  
 4 folding spines.  
 1 folding rack.  
 Glass support.  
 Cutlery basket.  
 Maximum dish sizes (upper/lower basket)  
 19/25, 16.5/27.5 or 14/31 cm respectively.  
 10 place setting capacity.

**Consumption data**  
 Energy efficiency class A+++ at a range of energy efficiency classes from A++ + to D.  
 From 9.5 l water.  
 From 0.66 kWh.  
 Noise level 44 dB (re 1 pW).

**Planning notes**  
 Height-adjustable feet.  
 Appliance plinth recess 100 mm (see drawing).

**Characteristics**  
**Energy Efficiency Class (Regulation (EU) 2017/1369)**  
 D  
**Energy Consumption for 100 cycles Eco Programme (EU 2017/1369)**  
 67  
**Maximum number of place settings (EU 2017/1369)**  
 10  
**The water consumption of the eco programme in liters per cycle (EU 2017/1369)**  
 9.5  
**Programme duration (EU 2017/1369)**  
 3:15  
**Airborne acoustical noise emissions (EU 2017/1369)**  
 44  
**Airborne acoustical noise emission class (EU 2017/1369)**  
 B  
**Energy efficiency class**  
 A  
**Cleaning performance**  
 A  
**Water consumption**  
 9.5  
**Total annual energy consumption**  
**Estimated annual consumption (220 standard cycles) energy**  
 145  
**Total annual water consumption 220 days**  
 2090  
**Built-in / Free-standing**  
 Built-in  
**Removable top**  
 No  
**Door panel options**  
 Not possible  
**Height with worktop**  
 0  
**Height of the product**  
 815  
**Adjustable feet**  
 Yes - all from front  
**Maximum adjustability feet**  
 60  
**Adjustable plinth**  
**Net weight**  
 40.745  
**Gross weight**  
 42.5  
**Connection rating**  
**Fuse protection**  
 10  
**Voltage**  
 220-240  
**Frequency**  
 50; 60  
**Approval certificates**  
 CE, VDE  
**Length electrical supply cord**  
 175  
**Plug type**  
 Gardy plug w/ earthing  
**Length inlet hose**  
 165  
**Length outlet hose**  
 205  
**Hidden heating element**  
 Yes  
**Water protection system description**  
 Triple water protection 24h  
**Child safety devices**  
 No  
**Water softener**  
 Yes  
**Top basket type**  
**Adjustable upper basket**  
 Rackmatic 3-stage  
**Upper rack cup shelf**  
 1  
**Bottom basket type**  
**Lower rack cup shelf**  
 1  
**3rd Rack**  
 3rd Rack 2.1  
**Cutlery Basket**  
 Standard  
**Optional accessories**  
 DA042030  
**Included accessories 2**

To display the remaining time projection, a minimum plinth protrusion is required (40 mm + thickness of the furniture front).  
 The maximum plinth height must be reduced by 30 mm to provide an optimal display of the remaining time projection.  
 Rear feet adjustable at front.  
 Door weight up to 7.5 kg.  
 Door panel dimension dependent on plinth height of kitchen furniture.

**Connection**  
 Connecting cable pluggable.  
 Water connection with 3/4" screw joint.  
 Connection to hot or cold water possible.

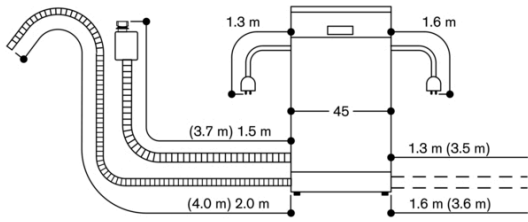
**Color Variants**  
 DF250141  
 Fully integrated  
 Height 81.5 cm, width 45 cm

**Included accessories**  
 1 x baking tray spray head.

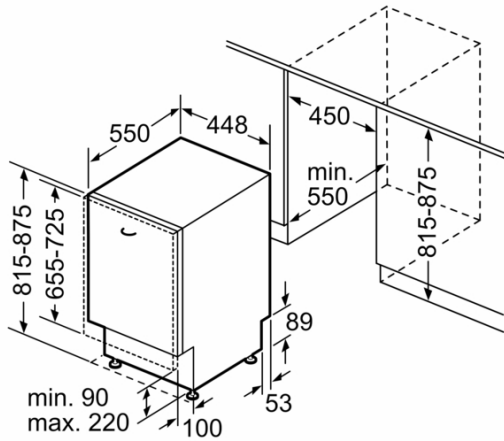
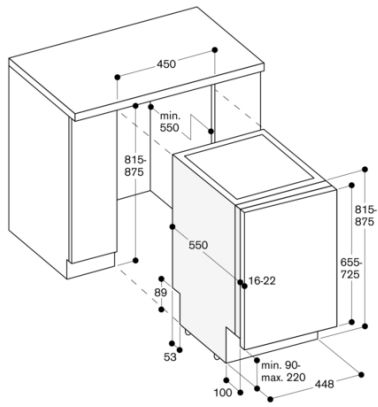
**Optional accessories**  
 DA042030  
 Silvercare cartridge for all dishwashers

**Installation Accessories**  
 DA020010  
 Stainless steel trim kit for 81,5 cm high dishwashers  
 DA021000  
 Hinge for all fully integrated dishwashers  
 GZ010011  
 Extension for water inlet and outlet (2 m long)

Connection dimensions for a 45 cm wide dishwasher



( ) values with extension kit



measurements in mm