



**DF250162**  
**Dishwasher 200 series**  
**Fully integrated**  
**Height 81.5 cm**



6 programmes with aqua sensor and 3 options, such as Power and Intensive: Clean and dry dishes in 59 minutes Intensive cleaning in the lower basket while protecting glassware in the upper basket  
 TFT display for intuitive handling of all functions  
 Bright interior lighting  
 Very quiet: 44 dB  
 Aqua stop

**Handling**

TFT display indicating remaining or end time, refill for salt and rinsing agent, inflow of water.  
 Touch key operation.  
 Information key with use indications.  
 Time delay up to 24 hours.  
 Visual and acoustic end of programme indicator.  
 Info-Light.

**Technical Features**

Bright interior lighting.  
 Glass protection.  
 Aqua sensor.  
 Load sensor.  
 Detergent recognition.  
 Regeneration electronics.  
 Heat exchanger.  
 Continuous flow heater.  
 Triple filter system.  
 Soft lock.  
 Aqua stop.  
 Child lock.  
 Home network integration for digital services (Home Connect) wireless via WiFi.  
 The use of the Home Connect functionality depends on the Home Connect services, which are not available in every country. For further information please check: home-connect.com.

**Programmes**

6 programmes:  
 Auto 35 °C - 45 °C.  
 Auto 45 °C - 65 °C.  
 Auto 65 °C - 75 °C.  
 Eco 50 °C.  
 Quick wash 45 °C (29 min.).  
 Pre-rinse.  
 3 options:  
 Intensive.  
 Power.  
 Extra Dry.

**Features**

Flexible basket system.  
 Upper basket:  
 Rackmatic with 3 levels, adjustable in height up to 5 cm.  
 2 folding spines.  
 2 folding racks.  
 1 knife rack.  
 Lower basket:  
 4 folding spines.  
 2 folding racks.  
 Dividable glass support.  
 Cutlery basket.  
 Maximum dish sizes (upper/lower basket)  
 27/25, 24,5/27.5 or 22/31 cm respectively.  
 13 place setting capacity.

**Consumption data**

Energy efficiency class A++ at a range of energy efficiency classes from A++ + to D.  
 From 9.5 l water.

**Characteristics**

**Energy Efficiency Class (Regulation (EU) 2017/1369)**  
 E  
**Energy Consumption for 100 cycles Eco Programme (EU 2017/1369)**  
 94  
**Maximum number of place settings (EU 2017/1369)**  
 13  
**The water consumption of the eco programme in liters per cycle (EU 2017/1369)**  
 9.5  
**Programme duration (EU 2017/1369)**  
 3:45  
**Airborne acoustical noise emissions (EU 2017/1369)**  
 44  
**Airborne acoustical noise emission class (EU 2017/1369)**  
 B  
**Energy efficiency class**  
 B  
**Cleaning performance**  
 A  
**Water consumption**  
 9.5  
**Total annual energy consumption**  
**Estimated annual consumption (220 standard cycles) energy**  
 202  
**Total annual water consumption 220 days**  
 2090  
**Built-in / Free-standing**  
 Built-in  
**Removable top**  
 No  
**Door panel options**  
 Not possible  
**Height with worktop**  
 0  
**Height of the product**  
 815  
**Adjustable feet**  
 Yes - all from front  
**Maximum adjustability feet**  
 60  
**Adjustable plinth**  
**Net weight**  
 36.2  
**Gross weight**  
 38.5  
**Connection rating**  
 2400  
**Fuse protection**  
 10  
**Voltage**  
 220-240  
**Frequency**  
 50; 60  
**Approval certificates**  
 CE, VDE  
**Length electrical supply cord**  
 175  
**Plug type**  
 Gardy plug w/ earthing  
**Length inlet hose**  
 165  
**Length outlet hose**  
 190  
**Hidden heating element**  
 Yes  
**Water protection system description**  
 Triple water protection 24h  
**Child safety devices**  
 No  
**Water softener**  
 Yes  
**Top basket type**  
 mid  
**Adjustable upper basket**  
 Rackmatic 3-stage  
**Bottom basket type**  
 mid  
**3rd Rack**  
 retrofit  
**Optional accessories**  
 DA043000, DA043060, DA041061, DA042030  
**Included accessories 2**  
 baking-sheet spray head grey, vapor barrier plate

From 0.92 kWh.  
 Noise level 44 dB (re 1 pW).

**Planning notes**

Height-adjustable feet.  
 Appliance plinth recess 100 mm (see drawing).  
 Rear feet adjustable at front.  
 Door weight up to 8.5 kg.  
 Door panel dimension dependent on plinth height of kitchen furniture.

**Connection**

Connecting cable pluggable.  
 Water connection with 3/4" screw joint.  
 Connection to hot or cold water possible.  
 Power consumption standby/network 2.0 W.  
 Power consumption left-on-mode 0.5 W.  
 Power consumption off-mode 0.5 W.  
 Time auto-standby/network 2 min.  
 Left-on-mode duration 0 min.  
 Please check the user manual for how to switch off the WiFi module.

**Color Variants**

**DF250162**  
**Fully integrated**  
**Height 81.5 cm**

**Included accessories**

1 x baking tray spray head.

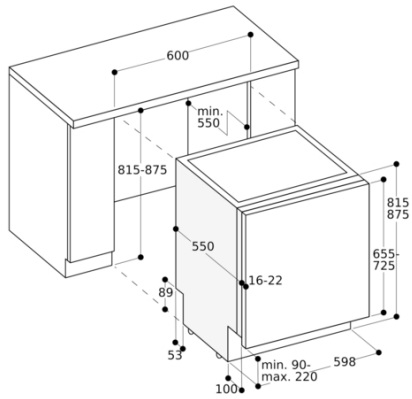
**Optional accessories**

**DA041061**  
**Cutlery drawer**  
**DA042030**  
**Silvercare cartridge for all dishwashers**  
**DA043000**  
**Holder for long-stemmed glasses**  
**DA043060**  
**Glass basket**

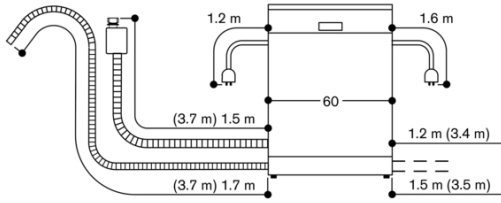
**Installation Accessories**

**DA020010**  
**Stainless steel trim kit for 81,5 cm high dishwashers**  
**DA021000**  
**Hinge for all fully integrated dishwashers**  
**DA231010**  
**Stainless steel-backed full glass door for 81.5 cm high dishwashers**  
**GH045010**  
**Handle bar with 2 mounts, stainless steel, length 45 cm, height 49 mm, drilling distance 427 mm.**  
**GZ010011**  
**Extension for water inlet and outlet (2 m long)**

81.5 cm high dishwasher



Connection dimensions for a 60 cm wide dishwasher



( ) values with extension kit