



DF261100
Dishwasher 200 series
Fully integrated
Height 86.5 cm



Optimal protection for sensitive glassware by low temperature drying with zeolite, elaborated basket design and intelligent water softening
 6 programmes with aqua sensor and 3 options, such as Power for cleaning and drying dishes from 57 minutes and Intensive for particularly thorough cleaning in the lower basket
 Flexible basket system
 Bright interior lighting
 Remaining time projection onto the kitchen floor
 Very quiet: 42 dB

Handling

TFT display indicating remaining or end time, refill for salt and rinsing agent, inflow of water.
 Touch key operation.
 Flexible cycle time reduction, even during an active cycle.
 Personalisation function for storing individual combinations of programmes.
 Information key with use indications.
 Time delay up to 24 hours.
 Visual and acoustic end of programme indicator.
 Remaining time projection.

Technical features

Bright interior lighting.
 Glass protection with zeolite.
 Aqua sensor.
 Load sensor.
 Detergent recognition.
 Regeneration electronics.
 Heat exchanger.
 Continuous flow heater.
 Triple filter system.
 Soft lock.
 Aqua stop.

Selected digital services (Home Connect)

Programme assistant.
 Temporary noise reduction.
 Home network integration for digital services (Home Connect) wireless via WiFi.
 The use of the Home Connect functionality depends on the Home Connect services, which are not available in every country. For further information please check: home-connect.com.

Programmes

6 programmes:
 Auto 35 °C - 45 °C. Auto 45 °C - 65 °C.
 Auto 65 °C - 75 °C. Eco 50 °C. Quick wash 45 °C (35 min.). Personalisation function (default setting: Pre-rinse).
 3 options:
 Intensive. Power. Half Load.
 Machine Care.

Features

Flexible basket system.
 Upper basket:
 Over extension. Optional extra cleaning area by activating additional spray nozzles. Rackmatic with 3 levels, adjustable in height up to 5 cm. 6 folding spines. 4 folding racks for optimal protection of glass.
 Lower basket:
 8 folding spines. 2 folding racks for optimal protection of glass. Dividable glass support.
 Cutlery basket.
 Maximum dish sizes (upper/lower basket)

Characteristics

Energy Efficiency Class (Regulation (EU) 2017/1369)
 C

Energy Consumption for 100 cycles Eco Programme (EU 2017/1369)
 74

Maximum number of place settings (EU 2017/1369)
 13

The water consumption of the eco programme in liters per cycle (EU 2017/1369)
 9.5

Programme duration (EU 2017/1369)
 3:55

Airborne acoustical noise emissions (EU 2017/1369)
 42

Airborne acoustical noise emission class (EU 2017/1369)
 B

Energy efficiency class
 A

Cleaning performance
 A

Water consumption
 9.5

Total annual energy consumption
 Estimated annual consumption (220 standard cycles) energy
 180

Total annual water consumption 220 days
 2090

Built-in / Free-standing
 Built-in

Removable top
 No

Door panel options
 Not possible

Height with worktop
 0

Height of the product
 865

Adjustable feet
 Yes - all from front

Maximum adjustability feet
 60

Adjustable plinth
 Net weight
 47.5

Gross weight
 49.5

Connection rating
 2400

Fuse protection
 10

Voltage
 220-240

Frequency
 50; 60

Length electrical supply cord
 175

Plug type
 Gardy plug w/ earthing

Length inlet hose
 165

Length outlet hose
 190

Hidden heating element
 Yes

Water protection system description
 Triple water protection 24h

Child safety devices

Water softener
 Yes

Top basket type
 R4

Adjustable upper basket
 Rackmatic 3-stage

Bottom basket type
 R4

3rd Rack
 retrofit

Optional accessories
 DA045060, DA041061, DA042030, DA043000

Included accessories 2
 baking-sheet spray head grey, s/s decorative strips, vapor barrier plate

Number of place settings
 13

Color / Material panel

13 place setting capacity.
 Maximum glass loading capacity 23 wine glasses.

Consumption data

Energy efficiency class C at a range of energy efficiency classes from A to G.
 From 9.5 l water.
 From 0.82 kWh.
 Noise level 42 dB (re 1 pW).

Planning notes

Height-adjustable feet.
 Appliance plinth recess 100 mm (see drawing).
 To display the remaining time projection, a minimum plinth protrusion is required (40 mm + thickness of the furniture front).
 The maximum plinth height must be reduced by 30 mm to provide an optimal display of the remaining time projection.
 Rear feet adjustable at front.
 Door weight up to 10 kg.
 Door panel dimension dependent on plinth height of kitchen furniture.

Connection

Total connected load 2000-2400 W.
 Connecting cable pluggable.
 Water connection with 3/4" screw joint.
 Connection to hot or cold water possible.
 Power consumption standby/network 2.0 W.
 Power consumption left-on-mode 0.5 W.
 Power consumption off-mode 0.5 W.
 Time auto-standby/network 2 min.
 Left-on-mode duration 0 min.
 Please check the user manual for how to switch off the WiFi module.

Color Variants

DF261100
 Fully integrated
 Height 86.5 cm

Included accessories

1 x baking tray spray head.
 1 x stainless steel trim kit.

Optional accessories

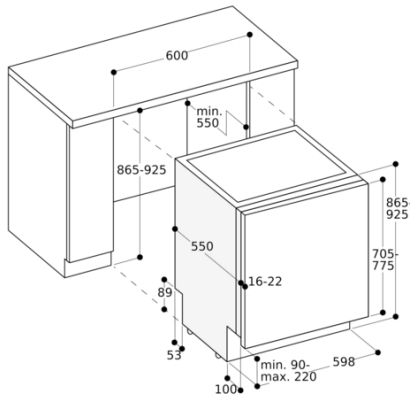
DA041061
 Cutlery drawer
 DA042030
 Silvercare cartridge for all dishwashers
 DA043000
 Holder for long-stemmed glasses
 DA045060
 3rd basket

Installation Accessories

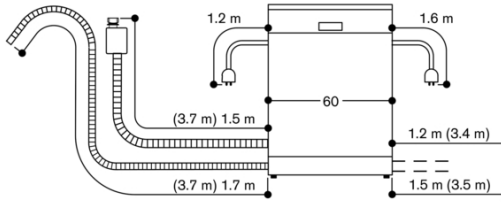
DA021000
 Hinge for all fully integrated dishwashers
 DA231110
 Stainless steel-backed full glass door for 86.5 cm dishwashers
 GH045010
 Handle bar with 2 mounts, stainless steel, length 45 cm, height 49 mm, drilling distance 427 mm.
 GZ010011
 Extension for water inlet and outlet (2 m long)

GAGGENAU

86.5 cm high dishwasher



Connection dimensions for a 60 cm wide dishwasher



() values with extension kit