



DF261167
Dishwasher 200 series
Fully integrated
Height 86.5 cm



Optimal protection for sensitive glassware by low temperature drying with zeolite and intelligent water softening
 6 programmes with aqua sensor and 3 options, such as Power and Intensive: Clean and dry dishes in 57 minutes
 Intensive cleaning in the lower basket while protecting glassware in the upper basket
 TFT display for intuitive handling of all functions
 Remaining time projection onto the kitchen floor
 Bright interior lighting
 Very quiet: 42 dB
 Energy efficiency class A+++
 Aqua stop

Handling
 TFT display indicating remaining or end time, refill for salt and rinsing agent, inflow of water.
 Touch key operation.
 Information key with use indicators.
 Time delay up to 24 hours.
 Visual and acoustic end of programme indicator.
 Remaining time projection.

Technical Features
 Bright interior lighting.
 Glass protection with zeolite.
 Aqua sensor.
 Load sensor.
 Detergent recognition.
 Regeneration electronics.
 Heat exchanger.
 Continuous flow heater.
 Triple filter system.
 Soft lock.
 Aqua stop.
 Home network integration for digital services (Home Connect) wireless via WiFi.
 The use of the Home Connect functionality depends on the Home Connect services, which are not available in every country. For further information please check: home-connect.com.

Programmes
 6 programmes:
 Auto 35 °C - 45 °C.
 Auto 45 °C - 65 °C.
 Auto 65 °C - 75 °C.
 Eco 50 °C.
 Quick wash 45 °C (29 min.).
 Pre-rinse.
 3 options:
 Intensive.
 Power.
 Half Load.

Features
 Flexible basket system.
 Upper basket:
 Over extension.
 Rackmatic with 3 levels, adjustable in height up to 5 cm.
 6 folding spines.
 4 folding racks.
 2 glass support bars.
 Cutlery basket.
 Maximum dish sizes (upper/lower basket)
 29/28, 26.5/30.5 or 24/34 cm respectively.
 13 place setting capacity.
 Maximum glass loading capacity 23 wine glasses.

Consumption data

Characteristics
Energy Efficiency Class (Regulation (EU) 2017/1369)
 D
Energy Consumption for 100 cycles Eco Programme (EU 2017/1369)
 84
Maximum number of place settings (EU 2017/1369)
 13
The water consumption of the eco programme in liters per cycle (EU 2017/1369)
 9.5
Programme duration (EU 2017/1369)
 3:15
Airborne acoustical noise emissions (EU 2017/1369)
 42
Airborne acoustical noise emission class (EU 2017/1369)
 B
Energy efficiency class
 A
Cleaning performance
 A
Water consumption
 9.5
Total annual energy consumption
Estimated annual consumption (220 standard cycles) energy
 180
Total annual water consumption 220 days
 2090
Built-in / Free-standing
 Built-in
Removable top
 No
Door panel options
 Not possible
Height with worktop
 0
Height of the product
 865
Adjustable feet
 Yes - all from front
Maximum adjustability feet
 60
Adjustable plinth
Net weight
 47.2
Gross weight
 49.5
Connection rating
 2400
Fuse protection
 10
Voltage
 220-240
Frequency
 50; 60
Approval certificates
 CE, VDE
Length electrical supply cord
 175
Plug type
 Gardy plug w/ earthing
Length inlet hose
 165
Length outlet hose
 190
Hidden heating element
 Yes
Water protection system description
 Triple water protection 24h
Child safety devices
 No
Water softener
 Yes
Top basket type
 high TP
Adjustable upper basket
 Rackmatic 3-stage
Bottom basket type
 high TP
3rd Rack
 retrofit
Cutlery Basket
 Standard
Optional accessories
 DA041061, DA042030, DA043000
Included accessories 2
 baking-sheet spray head grey, s/s

Energy efficiency class A+++ at a range of energy efficiency classes from A++ + to D.
 From 9.5 l water.
 From 0.82 kWh.
 Noise level 42 dB (re 1 pW).

Planning notes
 Height-adjustable feet.
 Appliance plinth recess 100 mm (see drawing).
 To display the remaining time projection, a minimum plinth protrusion is required (40 mm + thickness of the furniture front).
 The maximum plinth height must be reduced by 30 mm to provide an optimal display of the remaining time projection.
 Rear feet adjustable at front.
 Door weight up to 10 kg.
 Door panel dimension dependent on plinth height of kitchen furniture.

Connection
 Connecting cable pluggable.
 Water connection with 3/4" screw joint.
 Connection to hot or cold water possible.
 Power consumption standby/network 2.0 W.
 Power consumption left-on-mode 0.5 W.
 Power consumption off-mode 0.5 W.
 Time auto-standby/network 2 min.
 Left-on-mode duration 0 min.
 Please check the user manual for how to switch off the WiFi module.

Color Variants
DF261167
Fully integrated
Height 86.5 cm

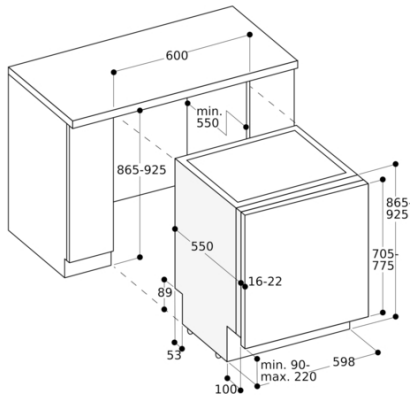
Included accessories
 1 x baking tray spray head.

Optional accessories
DA041061
Cutlery drawer
DA042030
Silvercare cartridge for all dishwashers
DA043000
Holder for long-stemmed glasses

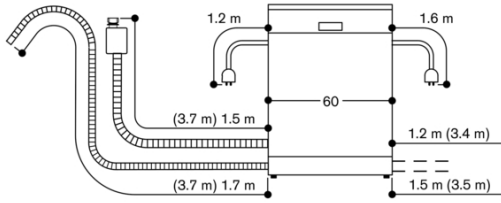
Installation Accessories
DA021000
Hinge for all fully integrated dishwashers
DA231110
Stainless steel-backed full glass door for 86.5 cm dishwashers
GH045010
Handle bar with 2 mounts, stainless steel, length 45 cm, height 49 mm, drilling distance 427 mm.
GZ010011
Extension for water inlet and outlet (2 m long)

GAGGENAU

86.5 cm high dishwasher



Connection dimensions for a 60 cm wide dishwasher



() values with extension kit