



DF270160

Dishwasher 200 series

Fully integrated

Height 81.5 cm



Optimal protection for sensitive glassware by low temperature drying with zeolite and intelligent water softening
6 programmes with aqua sensor and 3 options, such as Power and Intensive: Clean and dry dishes in 57 minutes
Intensive cleaning in the lower basket while protecting glassware in the upper basket
Flexible basket system with smooth running rails on all levels
TFT display for intuitive handling of all functions
Remaining time projection onto the kitchen floor
Bright interior lighting
Push-to-open function for perfect integration into handleless furniture fronts
Very quiet: 42 dB
Energy efficiency class A+++
Aqua stop

Handling
TFT display indicating remaining or end time, refill for salt and rinsing agent, inflow of water.
Touch key operation.
Information key with use indicators.
Time delay up to 24 hours.
Visual and acoustic end of programme indicator.
Remaining time projection.

Technical Features
Bright interior lighting.
Glass protection with zeolite.
Aqua sensor.
Load sensor.
Detergent recognition.
Regeneration electronics.
Heat exchanger.
Continuous flow heater.
Triple filter system.
Soft lock.
Aqua stop.
Home network integration for digital services (Home Connect) wireless via WiFi.
The use of the Home Connect functionality depends on the Home Connect services, which are not available in every country. For further information please check: home-connect.com.

Programmes
6 programmes:
Auto 35 °C - 45 °C.
Auto 45 °C - 65 °C.
Auto 65 °C - 75 °C.
Eco 50 °C.
Quick wash 45 °C (29 min.).
Pre-rinse.
3 options:
Intensive.
Power.
Half Load.

Features
Flexible basket system with smooth running rails on all levels.
Upper basket:
Over extension.
Rackmatic with 3 levels, adjustable in height up to 5 cm.
6 folding spines.
4 folding racks.
2 glass support bars.
Cutlery basket.
Maximum dish sizes (upper/lower basket)

Characteristics

Energy Efficiency Class (Regulation (EU) 2017/1369)
D

Energy Consumption for 100 cycles Eco Programme (EU 2017/1369)
82

Maximum number of place settings (EU 2017/1369)
12

The water consumption of the eco programme in liters per cycle (EU 2017/1369)
9.5

Programme duration (EU 2017/1369)
3:15

Airborne acoustical noise emissions (EU 2017/1369)
42

Airborne acoustical noise emission class (EU 2017/1369)
B

Energy efficiency class

Cleaning performance
A

Water consumption
9.5

Total annual energy consumption

Estimated annual consumption (220 standard cycles) energy
176

Total annual water consumption 220 days
2090

Built-in / Free-standing

Built-in

Removable top

No

Door panel options

Not possible

Height with worktop

0

Height of the product

81.5

Adjustable feet

Yes - all from front

Maximum adjustability feet

60

Adjustable plinth

Net weight

47.2

Gross weight

49.5

Connection rating

2400

Fuse protection

10

Voltage

220-240

Frequency

50; 60

Approval certificates

CE, VDE

Length electrical supply cord

175

Plug type

Gardy plug w/ earthing

Length inlet hose

165

Length outlet hose

190

Hidden heating element

Yes

Water protection system description

Triple water protection 24h

Child safety devices

Yes

Water softener

Yes

Top basket type

high TP

Adjustable upper basket

Rackmatic 3-stage

Bottom basket type

high TP

3rd Rack

retrofit

Cutlery Basket

Optional accessories

DA041160, DA042030, DA043000

Included accessories 2

baking-sheet spray head grey, s/s decorative strips, vapor barrier plate

Color Variants

DF270160

Fully integrated

Height 81.5 cm

Included accessories

1 x baking tray spray head.

Optional accessories

DA041160

Cutlery drawer with smooth running rails

DA042030

Silvercare cartridge for all dishwashers

DA043000

Holder for long-stemmed glasses

Installation Accessories

DA021000

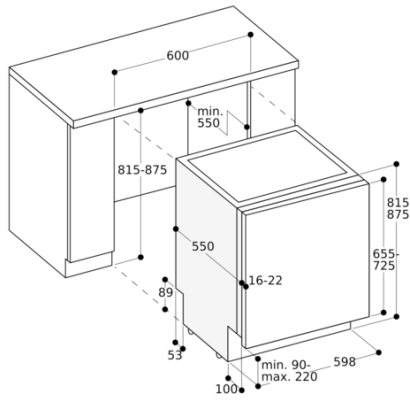
Hinge for all fully integrated dishwashers

GZ010011

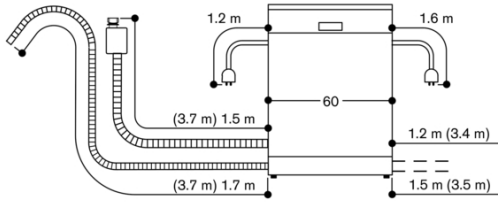
Extension for water inlet and outlet (2 m long)

GAGGENAU

81.5 cm high dishwasher



Connection dimensions for a 60 cm wide dishwasher



() values with extension kit