



DF271160

Dishwasher 200 series

Fully integrated

Height 86.5 cm



Optimal protection for sensitive glassware by low temperature drying with zeolite and intelligent water softening  
6 programmes with aqua sensor and 3 options, such as Power and Intensive: Clean and dry dishes in 57 minutes  
Intensive cleaning in the lower basket while protecting glassware in the upper basket  
Flexible basket system with smooth running rails on all levels  
TFT display for intuitive handling of all functions  
Remaining time projection onto the kitchen floor  
Bright interior lighting  
Push-to-open function for perfect integration into handleless furniture fronts  
Very quiet: 42 dB  
Energy efficiency class A+++  
Aqua stop

#### Handling

TFT display indicating remaining or end time, refill for salt and rinsing agent, inflow of water.  
Touch key operation.  
Information key with use indicators.  
Time delay up to 24 hours.  
Visual and acoustic end of programme indicator.  
Remaining time projection.

#### Technical Features

Bright interior lighting.  
Glass protection with zeolite.  
Aqua sensor.  
Load sensor.  
Detergent recognition.  
Regeneration electronics.  
Heat exchanger.  
Continuous flow heater.  
Triple filter system.  
Soft lock.  
Aqua stop.  
Home network integration for digital services (Home Connect) wireless via WiFi.  
The use of the Home Connect functionality depends on the Home Connect services, which are not available in every country. For further information please check: home-connect.com.

#### Programmes

6 programmes:  
Auto 35 °C - 45 °C.  
Auto 45 °C - 65 °C.  
Auto 65 °C - 75 °C.  
Eco 50 °C.  
Quick wash 45 °C (29 min.).  
Pre-rinse.  
3 options:  
Intensive.  
Power.  
Half Load.

#### Features

Flexible basket system with smooth running rails on all levels.  
Upper basket:  
Over extension.  
Rackmatic with 3 levels, adjustable in height up to 5 cm.  
6 folding spines.  
4 folding racks.  
2 glass support bars.  
Cutlery basket.  
Maximum dish sizes (upper/lower basket)

#### Characteristics

Energy Efficiency Class (Regulation (EU) 2017/1369)  
D

Energy Consumption for 100 cycles Eco Programme (EU 2017/1369)  
82

Maximum number of place settings (EU 2017/1369)  
12

The water consumption of the eco programme in liters per cycle (EU 2017/1369)  
9.5

Programme duration (EU 2017/1369)  
3:15

Airborne acoustical noise emissions (EU 2017/1369)  
42

Airborne acoustical noise emission class (EU 2017/1369)  
B

Energy efficiency class

Cleaning performance  
A

Water consumption  
9.5

Total annual energy consumption

Estimated annual consumption (220 standard cycles) energy  
176

Total annual water consumption 220 days  
2090

Built-in / Free-standing  
Built-in

Removable top  
No

Door panel options  
Not possible

Height with worktop  
0

Height of the product  
865

Adjustable feet  
Yes - all from front

Maximum adjustability feet  
60

Adjustable plinth

Net weight  
48.2

Gross weight  
50.5

Connection rating  
2400

Fuse protection  
10

Voltage  
220-240

Frequency  
50; 60

Approval certificates  
CE, VDE

Length electrical supply cord  
175

Plug type  
Gardy plug w/ earthing

Length inlet hose  
165

Length outlet hose  
190

Hidden heating element  
Yes

Water protection system description  
Triple water protection 24h

Child safety devices  
Yes

Water softener  
Yes

Top basket type  
high TP

Adjustable upper basket  
Rackmatic 3-stage

Bottom basket type  
high TP

3rd Rack  
retrofit

Cutlery Basket  
Standard

Optional accessories  
DA041160, DA042030, DA043000

Included accessories 2  
baking-sheet spray head grey, s/s

12 place setting capacity.

Maximum glass loading capacity 23 wine glasses.

#### Consumption data

Energy efficiency class A+++ at a range of energy efficiency classes from A++ + to D.

From 9.5 l water.

From 0.8 kWh.

Noise level 42 dB (re 1 pW).

#### Planning notes

Height-adjustable feet.

Appliance plinth recess 100 mm (see drawing).

To display the remaining time projection, a minimum plinth protrusion is required (40 mm + thickness of the furniture front).

The maximum plinth height must be reduced by 30 mm to provide an optimal display of the remaining time projection.

Rear feet adjustable at front.

Door weight up to 10 kg.

Door panel dimension dependent on plinth height of kitchen furniture.

Installation and usage also with furniture handle possible. The push-to-open function remains active.

#### Connection

Connecting cable pluggable.

Water connection with 3/4" screw joint.

Connection to hot or cold water possible.

Power consumption standby/network 2.0 W.

Power consumption left-on-mode 0.5 W.

Power consumption off-mode 0.5 W.

Time auto-standby/network 2 min.

Left-on-mode duration 0 min.

Please check the user manual for how to switch off the WiFi module.

#### Color Variants

DF271160

Fully integrated

Height 86.5 cm

#### Included accessories

1 x baking tray spray head.

#### Optional accessories

DA041160

Cutlery drawer with smooth running rails

DA042030

Silvercare cartridge for all dishwashers

DA043000

Holder for long-stemmed glasses

#### Installation Accessories

DA021000

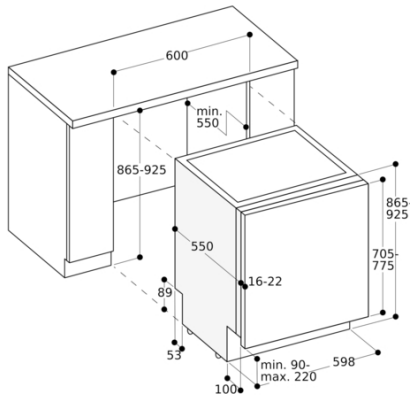
Hinge for all fully integrated dishwashers

GZ010011

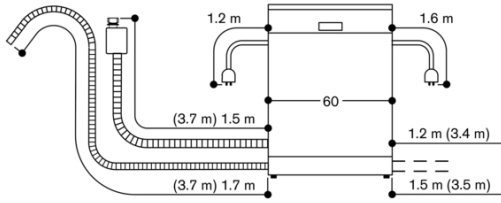
Extension for water inlet and outlet (2 m long)

# GAGGENAU

86.5 cm high dishwasher



Connection dimensions for a 60 cm wide dishwasher



( ) values with extension kit