



DF480701F

Included accessories

- 1 x baking tray spray head
- 1 x GN container insert
- 1 x holder for long-stemmed glasses

Optional accessories

DA042030:

Silver polishing cassette

DA043000:

Holder for long-stemmed glasses

GZ010011:

inlet and outlet hose extension

installation accessories

GZ010011:

inlet and outlet hose extension

Dishwasher 400 series 24", Variable hinge for special installation situations

DF480701F

Optimal drying with zeolite and protection for sensitive glassware through elaborated basket design

8 programmes with aqua sensor and 4 options, such as Power for cleaning and drying dishes from 57 minutes and Intensive Plus for adjusting cleaning areas in the lower basket

Flexible basket system with smooth running rails on all levels and cushioned closing of the upper and lower basket

Perfectly illuminated interior

Push-to-open function for perfect integration into handleless furniture fronts

Flexible hinge for reduced plinth height as of 50 mm or tall unit installation

Lateral Info-Light

Very quiet: 42 dB

Handling

TFT display indicating remaining or end time, refill for salt and rinsing agent, inflow of water.

Touch key operation.

Flexible cycle time reduction, even during an active cycle.

Personalisation function for saving individual combinations of programmes.

Information key with use indicators.

Sanitized indicator in the control panel.

Time delay up to 24 hours.

Visual and acoustic end of programme indicator.

Lateral Info-Light.

Technical features

Perfectly illuminated interior.

Glass protection with zeolite.

Aqua sensor.

Load sensor.

Detergent recognition.

Regeneration electronics.

Continuous flow heater.

Triple filter system.

Soft lock.

Aqua stop.

Selected digital services (Gaggenau Home Connect)

Programme assistant.

Temporary noise reduction.

Software updates.

Home network integration for digital services (Home Connect) wireless via WiFi.

The use of the Home Connect functionality depends on the Home Connect services, which are not available in every country. For further information please check: home-connect.com.

Programmes

8 programmes:

Auto 150-160 °F.

Auto 127-140 °F.

Auto 113-122 °F.

Eco 113-136 °F.

Wash and Dry.

Quick Wash 113 °F (30 min).

Glass Care 122 °F.

Personalisation function (default setting:

Pre-rinse).

4 options:

Intensive Plus.

Power.

Sanitize.

Extra Dry with zeolite.

Machine Care.

Interior

Flexible basket system with smooth running rails on all levels and cushioned closing of the upper and lower basket.

Cutlery drawer.

Upper basket:

Over extension.

Rackmatic with 3 levels, adjustable in height up to 5 cm.

6 folding spines.

4 folding racks for optimal protection of glass.

Lower basket:

Motorised spray arm.

8 folding spines.

2 folding racks for optimal protection of glass.

Dividable glass support.

Cutlery basket.

Holder for long-stemmed glasses.

Maximum dish sizes (upper/lower basket)

21/26, 18.5/28.5 or 16/31 cm respectively.

13 place setting capacity.

Maximum glass loading capacity 23 wine glasses.

Consumption data

ENERGY STAR certified.

Total annual energy consumption 240 kWh.

Total annual water consumption 505 gallons.

Noise level 42 dB (re 1 pW).

Planning notes

Height-adjustable feet.

Appliance plinth recess 100 mm (see drawing).

Rear feet adjustable at front.

Door weight up to 11 kg.

Door panel dimension dependent on plinth height of kitchen furniture.

Installation and usage also with furniture handle possible. The push-to-open function remains active.

Connection

Total connected load 1440 W.

Connecting cable pluggable.

Water connection with 3/4" screw joint.

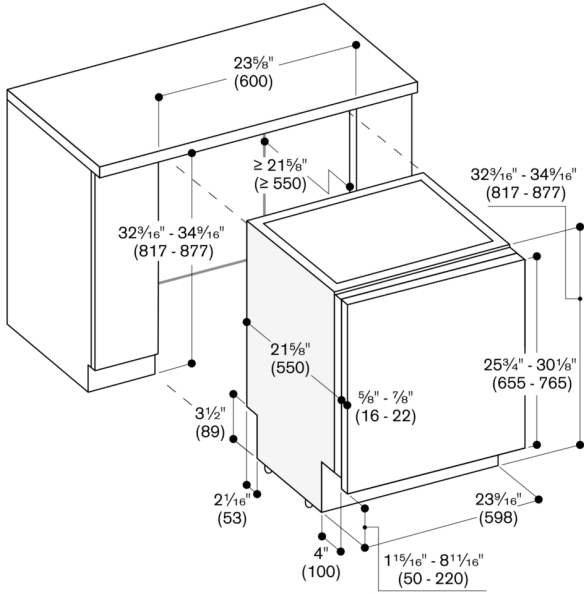
Connection to hot or cold water possible.

Power consumption standby/network 2.0 W.

Time auto-standby/network 2 min.

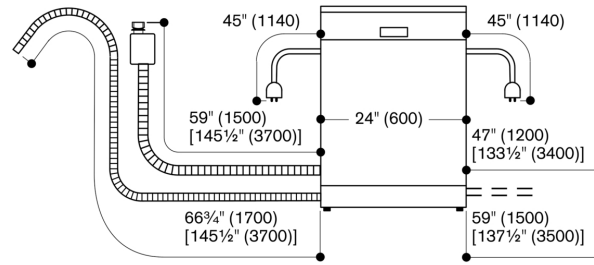
Please check the user manual for how to switch off the WiFi module.

Dishwasher (32³/₁₆" (817)) with flexible hinge



measurements in inches (mm)

Connection dimensions for a 24" (600 mm) wide dishwasher



[] values with extension kit
measurements in inches (mm)