



**DF481162**  
**Dishwasher 400 series**  
**Fully integrated**  
**Height 86.5 cm**



Optimal protection for sensitive glassware by low temperature drying with zeolite and intelligent water softening  
 8 programmes with aqua sensor and 5 options, such as Power and Intensive: Clean and dry dishes in 57 minutes  
 Intensive cleaning in the lower basket while protecting glassware in the upper basket  
 Flexible basket system with smooth running rails on all levels and cushioned closing of the upper and lower basket  
 TFT display for intuitive handling of all functions  
 Remaining time projection onto the kitchen floor  
 Perfectly illuminated interior  
 Push-to-open function for perfect integration into handleless furniture fronts  
 Very quiet: 43 dB  
 Aqua stop  
 Energy efficiency class A+++

**Handling**  
 TFT display indicating remaining or end time, refill for salt and rinsing agent, inflow of water.  
 Touch key operation.  
 Information key with use indications.  
 Time delay up to 24 hours.  
 Visual and acoustic end of programme indicator.  
 Remaining time projection.

**Technical Features**  
 Perfectly illuminated interior.  
 Glass protection with zeolite.  
 Aqua sensor.  
 Load sensor.  
 Detergent recognition.  
 Regeneration electronics.  
 Heat exchanger.  
 Continuous flow heater.  
 Triple filter system.  
 Soft lock.  
 Aqua stop.  
 Home network integration for digital services (Home Connect) wireless via WiFi.  
 The use of the Home Connect functionality depends on the Home Connect services, which are not available in every country. For further information please check: home-connect.com.

**Programmes**  
 8 programmes:  
 Auto 35 °C - 45 °C.  
 Auto 45 °C - 65 °C.  
 Auto 65 °C - 75 °C.  
 Intensive 70 °C.  
 Eco 50 °C.  
 Night programme.  
 Quick wash 45 °C (29 min.).  
 Pre-rinse.  
 5 options:  
 Intensive.  
 Power.  
 Half Load.  
 Hygiene.  
 Extra Dry.

**Features**  
 Flexible basket system with smooth running rails on all levels and cushioned closing of the upper and lower basket.  
 Upper basket:  
 Over extension.  
 Rackmatic with 3 levels, adjustable in height up to 5 cm.

**Characteristics**  
**Energy Efficiency Class (Regulation (EU) 2017/1369)**  
 D  
**Energy Consumption for 100 cycles Eco Programme (EU 2017/1369)**  
 82  
**Maximum number of place settings (EU 2017/1369)**  
 12  
**The water consumption of the eco programme in liters per cycle (EU 2017/1369)**  
 9.5  
**Programme duration (EU 2017/1369)**  
 3:15  
**Airborne acoustical noise emissions (EU 2017/1369)**  
 43  
**Airborne acoustical noise emission class (EU 2017/1369)**  
 B  
**Energy efficiency class**  
 A  
**Cleaning performance**  
 A  
**Water consumption**  
 9.5  
**Total annual energy consumption**  
**Estimated annual consumption (220 standard cycles) energy**  
 176  
**Total annual water consumption 220 days**  
 2090  
**Built-in / Free-standing**  
 Built-in  
**Removable top**  
 No  
**Door panel options**  
 Not possible  
**Height with worktop**  
 0  
**Height of the product**  
 86.5  
**Adjustable feet**  
 Yes - all from front  
**Maximum adjustability feet**  
 60  
**Adjustable plinth**  
**Net weight**  
 53.1  
**Gross weight**  
 55.5  
**Connection rating**  
 2400  
**Fuse protection**  
 10  
**Voltage**  
 220-240  
**Frequency**  
 50; 60  
**Approval certificates**  
 CE, VDE  
**Length electrical supply cord**  
 175  
**Plug type**  
 Gardy plug w/ earthing  
**Length inlet hose**  
 165  
**Length outlet hose**  
 190  
**Hidden heating element**  
 Yes  
**Water protection system description**  
 Triple water protection 24h  
**Child safety devices**  
 Yes  
**Water softener**  
 Yes  
**Top basket type**  
 high TP  
**Adjustable upper basket**  
 Rackmatic 3-stage  
**Bottom basket type**  
 high TP  
**3rd Rack**  
 retrofit  
**Cutlery Basket**  
 Standard  
**Optional accessories**  
 DA041160, DA042030, DA043000  
**Included accessories 2**  
 baking-sheet spray head grey,

Cutlery basket.  
 Holder for long-stemmed glasses.  
 Maximum dish sizes (upper/lower basket)  
 29/28, 26.5/30.5 or 24/34 cm respectively.  
 12 place setting capacity.  
 Maximum glass loading capacity 23 wine glasses.

**Consumption data**  
 Energy efficiency class A+++ at a range of energy efficiency classes from A++ to D.  
 From 9.5 l water.  
 From 0.8 kWh.  
 Noise level 43 dB (re 1 pW).

**Planning notes**  
 Height-adjustable feet.  
 Appliance plinth recess 100 mm (see drawing).  
 To display the remaining time projection, a minimum plinth protrusion is required (40 mm + thickness of the furniture front).  
 The maximum plinth height must be reduced by 30 mm to provide an optimal display of the remaining time projection.  
 Rear feet adjustable at front.  
 Door weight up to 10 kg.  
 Door panel dimension dependent on plinth height of kitchen furniture.  
 Installation and usage also with furniture handle possible. The push-to-open function remains active.

**Connection**  
 Connecting cable pluggable.  
 Water connection with 3/4" screw joint.  
 Connection to hot or cold water possible.  
 Power consumption standby/network 2.0 W.  
 Power consumption left-on-mode 0.5 W.  
 Power consumption off-mode 0.5 W.  
 Time auto-standby/network 2 min.  
 Left-on-mode duration 0 min.  
 Please check the user manual for how to switch off the WiFi module.

**Color Variants**

**DF481162**  
**Fully integrated**  
**Height 86.5 cm**

**Included accessories**

1 x baking tray spray head.  
 1 x glass holder rack.  
 1 x GN container insert.

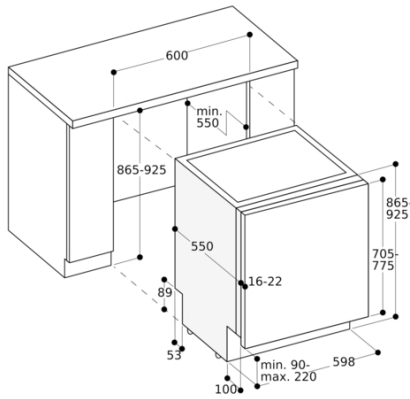
**Optional accessories**

**DA041160**  
**Cutlery drawer with smooth running rails**  
**DA042030**  
**Silvercare cartridge for all dishwashers**  
**DA043000**  
**Holder for long-stemmed glasses**

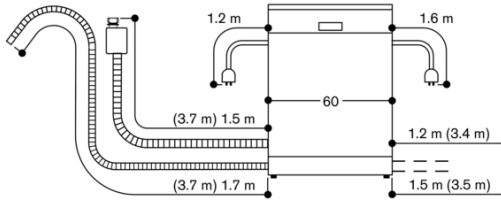
**Installation Accessories**

**DA021000**  
**Hinge for all fully integrated dishwashers**  
**GZ010011**  
**Extension for water inlet and outlet (2 m long)**

86.5 cm high dishwasher



Connection dimensions for a 60 cm wide dishwasher



( ) values with extension kit