



DI260112CN
Dishwasher 200 series
Integrated
Stainless steel panel
Height 81.5 cm

Optimal protection for sensitive glassware by low temperature drying with zeolite and intelligent water softening
 6 programmes with aqua sensor and 3 options, such as Power and Intensive: Clean and dry dishes in 57 minutes
 Intensive cleaning in the lower basket while protecting glassware in the upper basket
 Flexible basket system with smooth running rails on all levels
 TFT display for intuitive handling of all functions
 Bright interior lighting
 Very quiet: 44 dB
 Aqua stop

Handling
 TFT display indicating remaining or end time, refill for salt and rinsing agent, inflow of water.
 Touch key operation.
 Information key with use indications.
 Time delay up to 24 hours.
 Visual and acoustic end of programme indicator.

Technical Features
 Bright interior lighting.
 Glass protection with zeolite.
 Aqua sensor.
 Load sensor.
 Detergent recognition.
 Regeneration electronics.
 Heat exchanger.
 Continuous flow heater.
 Triple filter system.
 Soft lock.
 Aqua stop.
 Child lock.
 Home network integration for digital services (Home Connect) wireless via WiFi.
 The use of the Home Connect functionality depends on the Home Connect services, which are not available in every country. For further information please check: home-connect.com.

Programmes
 6 programmes:
 Auto 35 °C - 45 °C.
 Auto 45 °C - 65 °C.
 Auto 65 °C - 75 °C.
 Eco 50 °C.
 Quick wash 45 °C (29 min.).
 Pre-rinse.
 3 options:
 Intensive.
 Power.
 Extra Dry.

Features
 Flexible basket system with smooth running rails on all levels.
 Upper basket:
 Over extension.
 Rackmatic with 3 levels, adjustable in height up to 5 cm.
 6 folding spines.
 4 folding racks.
 2 glass support bars.
 Cutlery basket.
 Maximum dish sizes (upper/lower basket)
 27/25, 24.5/27.5 or 22/31 cm respectively.
 12 place setting capacity.
 Maximum glass loading capacity 23 wine glasses.

Consumption data

Characteristics
Energy efficiency class
Cleaning performance
 A
Water consumption
 9.5
Total annual energy consumption
Estimated annual consumption (220 standard cycles) energy
 163
Total annual water consumption 220 days
 2090
Built-in / Free-standing
 Built-in
Removable top
 No
Door panel options
 Not possible
Height with worktop
 0
Height of the product
 815
Adjustable feet
 Yes - all from front
Maximum adjustability feet
 60
Adjustable plinth
Net weight
 47.696
Gross weight
 50.0
Connection rating
Fuse protection
 10
Voltage
 220-240
Frequency
 50; 60
Length electrical supply cord
 175
Plug type
 China plug
Length inlet hose
 165
Length outlet hose
 190
Hidden heating element
 Yes
Water protection system description
 Triple water protection 24h
Child safety devices
 Childlock appliance
Water softener
 Yes
Top basket type
Adjustable upper basket
 Rackmatic 3-stage
Upper rack cup shelf
Bottom basket type
Lower rack cup shelf
3rd Rack
 retrofit
Cutlery Basket
 Standard
Optional accessories
 DA041160, DA042030, DA043000
Included accessories 2
 , baking-sheet spray head grey, s/s decorative strips, vapor barrier plate
Number of place settings
 13
Color / Material panel
 Stainless steel
Color / Material body
 Lacquered
Color / Material top
Dimensions of the product (HxWxD)
 815 x 598 x 573
Dimensions of the packed product (HxWxD)
 880 x 670 x 660

Consumption and connection features

2021-11-14

Page 1

From 9.5 l water.
 From 0.74 kWh.
 Noise level 44 dB (re 1 pW).

Planning notes
 Height-adjustable feet.
 Appliance plinth recess 100 mm (see drawing).
 Rear feet adjustable at front.
 Door weight up to 8.5 kg.
 Door panel dimension dependent on plinth height of kitchen furniture.

Connection
 Connecting cable pluggable.
 Water connection with 3/4" screw joint.
 Connection to hot or cold water possible.
 Power consumption standby/network 2.0 W.
 Power consumption left-on-mode 0.5 W.
 Power consumption off-mode 0.5 W.
 Time auto-standby/network 2 min.
 Left-on-mode duration 0 min.
 Please check the user manual for how to switch off the WiFi module.

Color Variants

DI260112CN
 Integrated
 Stainless steel panel

Included accessories

1 x baking tray spray head.

Optional accessories

DA041160
 Cutlery drawer with smooth running rails
 DA042030
 Silvercare cartridge for all dishwashers
 DA043000
 Holder for long-stemmed glasses

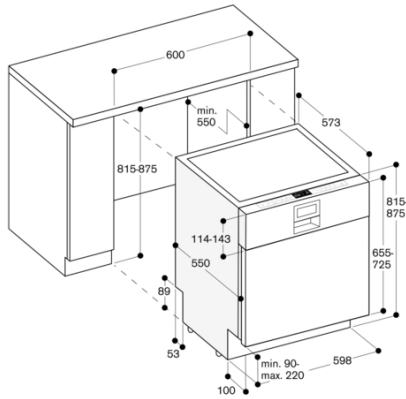
Installation Accessories

GZ010011
 Extension for water inlet and outlet (2 m long)

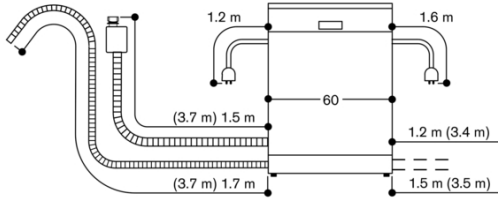
DI260112CN
 Dishwasher 200 series
 Integrated
 Stainless steel panel
 Height 81.5 cm

2021-11-14
 Page 2

81.5 cm high dishwasher



Connection dimensions for a 60 cm wide dishwasher



() values with extension kit

