



RB282204
Fridge-freezer combination 200 series
With fresh cooling
Fully integrated
Niche width 56 cm, Niche height 177.5 cm



3 climate zones incl. 1 fresh cooling drawer with manually adjustable humidity
 Height adjustable safety glass shelves
 Door racks with aluminium profiles
 Innovative defrost technology:
 - Reduced energy consumption due to new evaporator design - Faster defrosting and easier cleaning due to less severe and more uniform ice build-up - Safety glass shelf between freezer drawers
 Cushioned door closing system allowing a soft and controlled door closure
 Net volume 270 litres

Handling
 Electronic temperature control with digital display.
 Touch keys.

Technical features
 Automatic defrosting with defrost water evaporation.
 Cushioned door closing system from 20° door opening angle, integrated in door hinge.
 Open-door and malfunction alarm.
 Home network integration for digital services (Home Connect) wireless via WiFi.
 The use of the Home Connect functionality depends on the Home Connect services, which are not available in every country. For further information please check: home-connect.com.

Cooling
 Fast cooling.
 Temperature adjustable from +2 °C to +8 °C.
 5 safety glass shelves, of which 1 is fully extendable and 4 height adjustable.
 Wine and champagne rack for 4 bottles, can be completely folded.
 1 large door rack with aluminium profile for bottles with flexible bottle holder.
 4 door racks with aluminium profile.
 Bright interior lighting with integrated glare-free side light elements.
 Net volume 209 litres.

Fresh cooling
 1 full width fresh cooling drawer.
 Humidity can be adjusted manually.
 Ideal for fruit and vegetables.

Freezing
 Fast freezing.
 Temperature adjustable from -14 °C to -24 °C.
 4-star freezer compartment.
 Defrost assistance.
 Freezing capacity 7 kg/24 h.
 Storage time after a malfunction 26 h.
 2 freezer drawers, 1 of which extra large.
 1 safety glass shelf.
 Net volume 61 litres.

Consumption data
 Energy efficiency class A++ at a range of energy efficiency classes from A++ to D.
 Energy consumption 225 kWh/year.
 Noise level 36 dB (re 1 pW).

Planning notes
 Flat hinge.
 Door hinge right, reversible.
 Door opening angle of 115°, fixable at 90°.
 Max. door panel width 56 cm.

Characteristics
Built-in / Free-standing
Built-in
Number of compressors
1
Number of independent cooling systems
2
Width of the appliance
558
Height
1772
Depth of the product
545
Net weight
68.3
Required niche size for installation (HxWxD)
1775.0 x 560 x 550
Door panel options
Not possible
Door hinge
Right reversible
Number of Adjustable Shelves in fridge compartment
4
Shelves for Bottles
Yes
Frost free system
No
Interior ventilator
No
Reversible Door Hinge
Yes
Length electrical supply cord
230
Noise level
36
Multi-Flow Air Tower
No
Fast cooling switch
Yes
Fast freezing switch
No
Temperature Controlled Drawer
No
Humidity Control Drawer
Yes
Number of Door Bins - Refrigerator
5
Door bin adjustability - Refrigerator
Yes
Tilt-out door bins in fridge
Yes
Gallon Storage
Yes
Number of Gallon storage
1
Motorized Shelf
No
Material of the shelves
Safety glass
Type of Light
Door opened indicator freezer
No
Drawers with telescopic rails
none
Automatic motor-driven ice-maker
No
Ice Storage Capacity
Ice Cubes per Day
Connection rating
90
Fuse protection
10
Voltage
220-240
Frequency
50
Energy consumption
Freezing capacity
Storage Period in Event of Power Failure (h)
26
Approval certificates
CE, VDE
Universal Product Code
Main colour of product
N/A
Door panel options
Not possible
Noise level

Connection

Total connected load 0.090 KW.
 Connecting cable 2.3 m with plug.

Color Variants

RB282204
With fresh cooling
Fully integrated

Included accessories

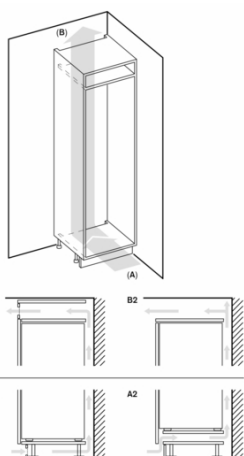
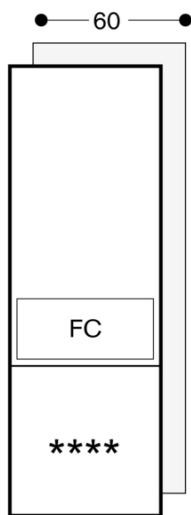
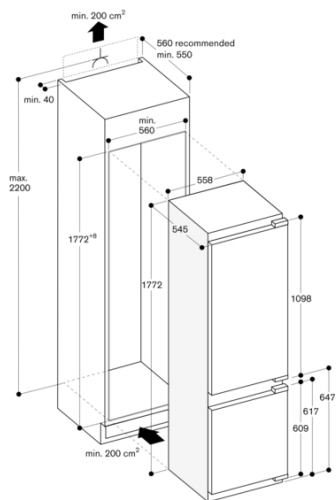
2 x cold accumulator.
 2 x egg tray.
 1 x wine and champagne rack.
 1 x ice cube tray.

Optional accessories

RA260000
Heavy duty hinge support
RA430100
Storage container with transparent lid, anthracite.

GAGGENAU

RB282204
 Fridge-freezer combination 200 series
 With fresh cooling
 Fully integrated
 Niche width 56 cm, Niche height 177.5 cm
 2022-10-27
 Page 2



A: Air inlet $\geq 200 \text{ cm}^2$; ventilation options A1 or A2
 B: Air outlet $\geq 200 \text{ cm}^2$; ventilation options B1 or B2