



RB289800

Optional accessories

RA238030:

Bottle support, maple wood, 1 pcs.

RA260000:

Heavy duty hinge support (RB 2x)

RA430100:

Storage container with lid, anthracite

Vario fridge-freezer combination 200 series 177.5 x 56 cm

RB289800

Interior with precision-fitted, solid aluminium elements in Gaggenua Light Bronze

Extendable shelves and drawers

Warm white and glare-free LED light

4 climate zones incl. 2 fresh cooling drawers close to 0 °C

Height-adjustable, extendable safety glass shelves, set in solid aluminium profiles

Cushioned door closing system allowing a soft and controlled door closure.

Smooth running fully extendable telescopic pull-out racks and a cushioned closing system allow a soft and controlled closure of the drawers

Solid maple bottle supports with magnetic connector

Net volume 223 litres

Handling

Electronic temperature control with digital display.

Touch keys.

Technical features

Automatic defrosting with defrost water evaporation.

Cushioned door closing system from 20° door opening angle, integrated in door hinge.

Open-door and malfunction alarm.

Holiday mode.

Selected digital services (Gaggenua Home Connect)

Remote control and monitoring.

Home network integration for digital services (Home Connect) wireless via WiFi.

The use of the Home Connect functionality depends on the Home Connect services, which are not available in every country. For further information please check: home-connect.com.

Cooling

Fast cooling.

Temperature adjustable from +3 °C to +8 °C.

2 height-adjustable safety glass shelves, partly extendable.

1 frosted white glass shelf.

2 oiled, solid maple bottle supports with magnetic connector, can be increased to 5 supports per shelf.

A total of 9 bottles (based on a 0.75 l bottle) can be stored on one level using 5 bottle supports.

The bottle supports are also suitable for storing champagne bottles and magnums.

1 large aluminium door rack for bottles.

1 aluminium door rack.

Warm white interior lighting (3500 K) with integrated glare-free LED side lights.

Net volume 101 litres.

Fresh cooling close to 0 °C

Drawers with solid aluminium handles and signature drawer front with a gradual frosted surface.

1 fully extendable fresh cooling drawer close to 0 °C, illuminated.

Humidity can be adjusted manually.

Ideal for fruit and vegetables.

1 fully extendable fresh cooling drawer close to 0 °C, illuminated.

Ideal for meat, fish and poultry.

Net volume 55 litres.

Freezing

No-frost technology with fast freezing.

Temperature adjustable from -24 °C to -14 °C.

4-star freezer compartment.

Drawers with solid aluminium handles and signature drawer front with a gradual frosted surface.

Defrost assistance.

Freezing capacity 8 kg/24 h.

Storage time after a malfunction 13 h.

3 freezer drawers, 1 of which extra large.

2 safety glass shelves.

Net volume 67 litres.

Consumption data

Energy consumption 0.602 kWh/24 h.

Noise level 38 dB (re 1 pW).

Planning notes

Flat hinge.

Door hinge right, reversible.

Door opening angle of 115°, fixable at 90°.

Max. door panel weight:

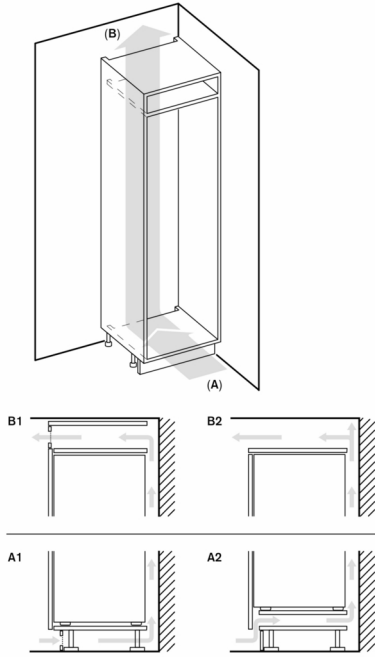
Upper door 19 kg.

Lower door 19 kg.

Connection

Total connected load 0.090 KW.

Connecting cable 2.3 m with plug.



A: Air inlet $\geq 200 \text{ cm}^2$; ventilation options A1 or A2
 B: Air outlet $\geq 200 \text{ cm}^2$; ventilation options B1 or B2

