



RC462705

Optional accessories

RA430100:
Storage container with lid, anthracite

Installation accessories

RA421615:
Stainless steel door with handle, 24" _US

RA423140:
Side trims, long

RA425110:
Vario SS handle 1131 mm

RA428615:
Stainless steel door w/o handle 24" _US

RA460000:
Installation kit SxS

RA460012:
Heating side kit 110V

RA460020:
Frontpanel connection long

RA464611:
Ventilation grille 61cm / 24" w/o filter

Vario refrigerator 400 series 24"

RC462705

Stainless steel interior with solid anthracite aluminium elements

Warm white and glare-free LED light spots

Opening assist for door with two options:

1. Push-to-open function for integration into handleless furniture front
2. Pull-to-open function to facilitate opening the door using a handle

The drawers in the RC and RF models are positioned at the same height. With side-by-side installation, the glass shelves and door racks can be aligned on the same level

Flat stainless steel inner door, full-length

Almost invisible rail system for shelves and door racks for flexible positioning

Solid anthracite aluminium door racks.

1 fresh cooling drawer 0 °C with temperature control from -1° C to +3 °C and 1 fresh cooling drawer with manually adjustable humidity

TFT touch display

Net volume 367 litres

ENERGY STAR certified.

Handling

TFT touch display operation.

Clear text display.

Technical features

Dynamic cold air distribution.

Automatic defrosting with defrost water evaporation.

Cushioned door closing system.

Activated charcoal air filter.

Rest mode certified by Star-K.

When rest mode is active, the appliance can only be opened using a handle.

Open-door and malfunction alarm.

Selected digital services (Gaggenau Home Connect)

Remote control and monitoring.

Remote diagnostics.

Home network integration for digital services (Home Connect) wireless via WiFi.

The use of the Home Connect functionality depends on the Home Connect services, which are not available in every country. For further information please check: home-connect.com.

Cooling

Fast cooling.

Temperature adjustable from +2 °C to +8 °C.

3 safety glass shelves, white glass, individually adjustable in height.

1 shallow, fully extendable drawer with transparent front.

1 integrated shelf.

Cushioned closing system.

4 brilliant LED light spots with warm white, glare-free light (3500 K) within cooling area and drawers.

Flat door rail system with fully flexible positioning of door racks.

4 height-adjustable door racks, 1 of which is extra deep.

Net volume 314 litres.

Fresh cooling 0 °C

1 large, fully extendable fresh cooling 0 °C drawer with transparent front, illuminated.

Cushioned closing system.

Temperature control via central TFT display, temperature can be adjusted from -1 °C to +3 °C.

Ideal for meat, fish and poultry.

Net volume 53 litres.

Fresh cooling

1 fully extendable fresh cooling drawer with transparent front, illuminated.

Cushioned closing system.

Humidity can be adjusted manually.

Ideal for fruit and vegetables.

Consumption data

Energy consumption 254 kWh /year.

Noise level 40 dB (re 1 pW).

Planning notes

Flat hinge.

Door hinge right, reversible.

Door opening angle of 115°, fixable at 90°.

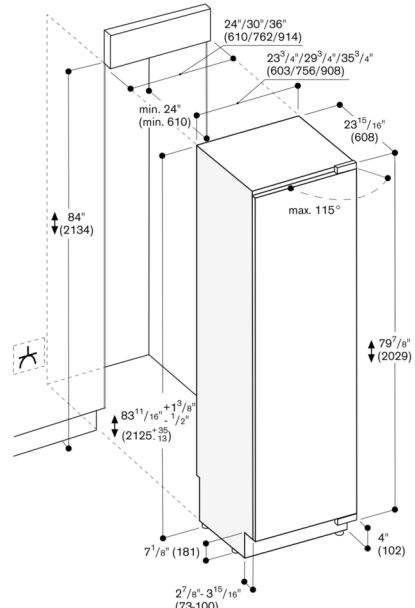
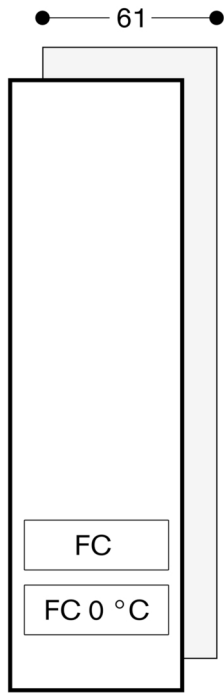
Max. door panel weight 41 kg.

Connection

Total connected load: 0.350 KW.

Total Amps: 10 A.

Connecting cable 3.0 m, pluggable.



The maximum door front dimensions are based on a clearance of (3mm).