



RF461301
Vario freezer 400 series
Fully integrated
Niche width 61 cm, Niche height 213.4 cm

Stainless steel interior
Generous lighting concept
Integrated ice maker with fixed inlet water connection
Solid aluminium door racks
Net volume 321 litres
Energy efficiency class A+

Handling
 Electronic temperature control with digital display.

Technical Features
 Dynamic cold air distribution.
 Automatic defrosting with defrost water evaporation.
 Rest mode certified by Star-K.
 Open-door and malfunction alarm.

Freezing
 No-frost technology with fast freezing.
 Temperature adjustable from -16 °C to -24 °C.
 4-star freezer compartment.
 Freezing capacity 18 kg/24 h.
 Storage time after a malfunction 13 h.
 4 solid metal shelves, 3 of which are manually adjustable.
 2 fully extendable drawers with transparent front, 1 of which large, 1 regular.
 Bright interior lighting with light pillars.
 4 height-adjustable door racks, 1 of which is extra deep.
 1 door rack with transparent front flap.

Ice maker
 Integrated, with fixed inlet water connection.
 Can be switched off.
 Ice cube production approx. 1.4 kg/24 h.
 Removable ice storage container with approx. 4 kg capacity.

Consumption data
 Energy efficiency class A+ at a range of energy efficiency classes from A+++ to D.
 Energy consumption 357 kWh/year.
 Noise level 41 dB (re 1 pW).

Planning notes
 Flat hinge.
 Door hinge left, reversible.
 Door opening angle of 115°, fixable at 90°.
 Max. door panel weight 40 kg.
 Shut-off valve for water connection must be planned next to the appliance and always be accessible.
 If the water pressure exceeds 0.8 MPa (8 bar), connect pressure relief valve between water tap and hose set.

Connection
 Total connected load 0.421 kW.
 Connecting cable 3.0 m, pluggable.
 Water inlet.
 Supply hose 3.0 m with 3/4" connection.
 Water pressure 2 to 8 bar.

Characteristics
Product category
 Upright freezer
Built-in / Free-standing
 Built-in
Color / Material body
Frost free system
 Full
Climate class
 SN-T
Door panel options
 Not possible
Width of the product (mm)
 603
Depth of the product
 608
Dimensions of the packed product (HxWxD) (mm)
 2270 x 740 x 700
Required niche size for installation (HxWxD)
 2134.0 x 610 x 610
Warning signal / malfunction
 No signal
Defrost process
Cover door installation system
 Fixed-mounted
Number of drawers/baskets (Stck)
 2
Number of freezing flaps (Stck)
 0
Lockable door
 No
Thermometer freeze section
 Digital
Light
 Yes
Length electrical supply cord (cm)
 300
Door hinge
 Left reversible
Net weight (kg)
 155.854
Gross weight (kg)
 171.0
Multi-Flow Air Tower
 Yes
Number of compressors
 1
Number of independent cooling systems
 1
Economy setting
 Yes
Fast freezing switch
 Yes
Number of Door Bins - Freezer
 5
Door bin adjustability - Freezer
 Yes
Tilt-out door bins in freezer
 Yes
Number of shelves - Freezer
 3
Door bin adjustability - Freezer
 Yes
Shelf Material - Freezer
Reversible Door Hinge
 Yes
Consumption and connection features
Connection Rating (W)
 421
Current (A)
 10
Frequency (Hz)
 50
Approval certificates
 CE, VDE
Energy consumption (kWh)
Total annual energy consumption (kWh)
Universal Product Code
 825225956075
Main colour of product
 N/A
Door panel options
 Not possible
Installation typology
 N/A
Noise level (dB)
 41

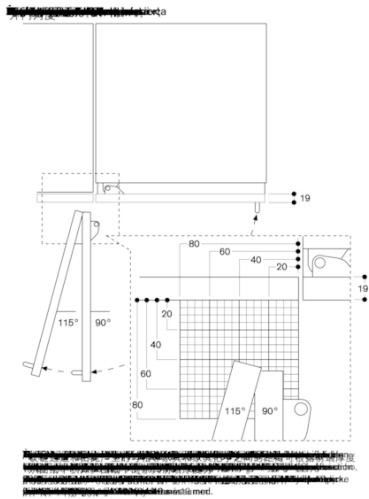
Color Variants
RF461301
Fully integrated
Niche width 61 cm, Niche height 213.4 cm

Included accessories
 1 x ice cube scoop.

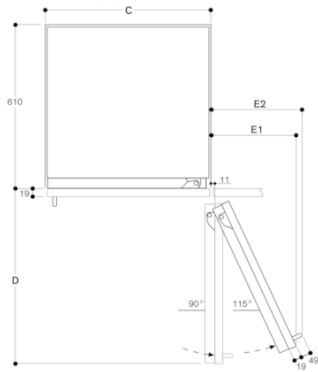
Installation Accessories
RA421610
Stainless steel door panel with handle
RA425110
Handle bar, stainless steel, long
RA460020
Connecting element for vertically split appliance fronts (for a flush front).

RF461301
 Vario freezer 400 series
 Fully integrated
 Niche width 61 cm, Niche height 213.4 cm

2019-10-23
 Page 2



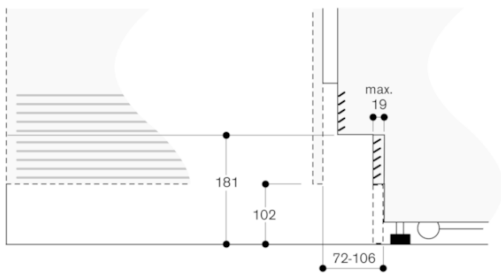
Wall clearance RB 472/RC/RF/RW



Recess width	D	E1	E2	
C	457 mm	525 mm	235 mm	265 mm
	610 mm	677 mm	299 mm	330 mm
	762 mm	830 mm	363 mm	395 mm

In the drawing, a unit front thickness of 19 mm and a Gaggenau unit handle of 49 mm were taken as a basis.

Base detail



Based on the standard height of the appliance, the height of the plinth is 102 mm. Maximum thickness of the plinth is 19 mm.