



Color Variants

RF471301
Fully integrated
Niche width 76.2 cm, Niche height 213.4 cm

Included accessories

1 x ice cube scoop.

Installation Accessories

RA421710
Stainless steel door panel with handle
RA425110
Handle bar, stainless steel, long
RA460020
Connecting element for vertically split appliance fronts (for a flush front).

RF471301
Vario freezer 400 series
Fully integrated
Niche width 76.2 cm, Niche height 213.4 cm

Stainless steel interior
Generous lighting concept
Integrated ice maker with fixed inlet water connection
Solid aluminium door racks
Net volume 421 litres
Energy efficiency class A+

Handling

Electronic temperature control with digital display.

Technical Features

Dynamic cold air distribution.
Automatic defrosting with defrost water evaporation.
Rest mode certified by Star-K.
Open-door and malfunction alarm.

Freezing

No-frost technology with fast freezing.
Temperature adjustable from -16 °C to -24 °C.
4-star freezer compartment.
Freezing capacity 20 kg/24 h.
Storage time after a malfunction 14 h.
4 solid metal shelves, 3 of which are manually adjustable.
2 fully extendable drawers with transparent front, 1 of which large, 1 regular.
Bright interior lighting with light pillars.
4 height-adjustable door racks, 1 of which is extra deep.
1 door rack with transparent front flap.

Ice maker

Integrated, with fixed inlet water connection.
Can be switched off.
Ice cube production approx. 1.4 kg/24 h.
Removable ice storage container with approx. 4 kg capacity.

Consumption data

Energy efficiency class A+ at a range of energy efficiency classes from A+++ to D.
Energy consumption 427 kWh/year.
Noise level 42 dB (re 1 pW).

Planning notes

Flat hinge.
Door hinge left, reversible.
Door opening angle of 115°, fixable at 90°.
Max. door panel weight 18 kg.
Shut-off valve for water connection must be planned next to the appliance and always be accessible.
If the water pressure exceeds 0.8 MPa (8 bar), connect pressure relief valve between water tap and hose set.

Connection

Total connected load 0.501 kW.
Connecting cable 3.0 m, pluggable.
Water inlet.
Supply hose 3.0 m with 3/4" connection.
Water pressure 2 to 8 bar.

Characteristics

Product category
Upright freezer

Built-in / Free-standing
Built-in

Color / Material body
Frost free system
Full

Climate class
SN-T

Door panel options
Not possible

Width of the product (mm)
756

Depth of the product
608

Dimensions of the packed product (HxWxD) (mm)
2270 x 760 x 850

Required niche size for installation (HxWxD)
2134.0 x 762.0 x 610

Warning signal / malfunction
No signal

Defrost process
Cover door installation system
Fixed-mounted

Number of drawers/baskets (Stck)
2

Number of freezing flaps (Stck)
0

Lockable door
No

Thermometer freeze section
Digital

Light
Yes

Length electrical supply cord (cm)
300

Door hinge
Left reversible

Net weight (kg)
176.375

Gross weight (kg)
193.0

Multi-Flow Air Tower
Yes

Number of compressors
1

Number of independent cooling systems
1

Economy setting
Yes

Fast freezing switch
Yes

Number of Door Bins - Freezer
5

Door bin adjustability - Freezer
Yes

Tilt-out door bins in freezer
Yes

Number of shelves - Freezer
3

Door bin adjustability - Freezer
Yes

Shelf Material - Freezer
Reversible Door Hinge
Yes

Consumption and connection features
Connection Rating (W)
501

Current (A)
10

Frequency (Hz)
50

Approval certificates
CE, VDE

Energy consumption (kWh)
Total annual energy consumption (kWh)
Universal Product Code
825225956105

Main colour of product
N/A

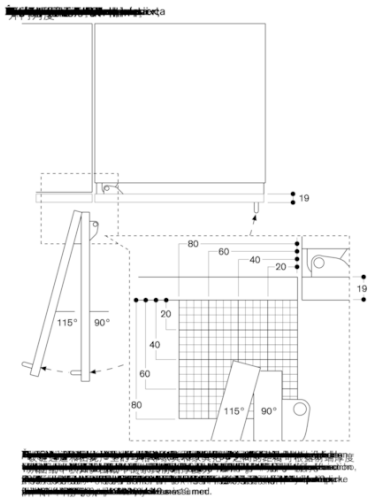
Door panel options
Not possible

Installation typology
N/A

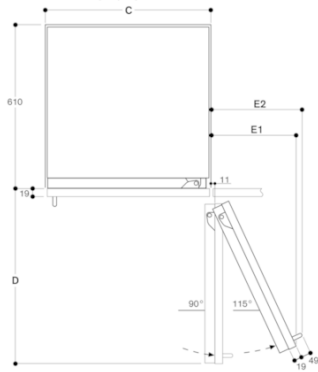
Noise level (dB)
42

RF471301
 Vario freezer 400 series
 Fully integrated
 Niche width 76.2 cm, Niche height 213.4 cm

2019-10-23
 Page 2



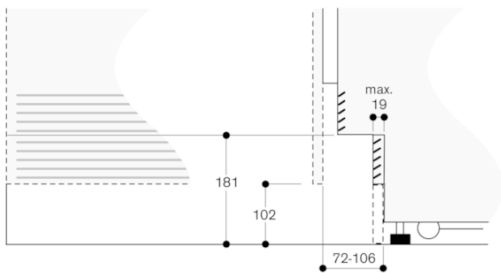
Wall clearance RB 472/RC/RF/RW



Recess width	D	E1	E2	
C	457 mm	525 mm	235 mm	265 mm
	610 mm	677 mm	299 mm	330 mm
	762 mm	830 mm	363 mm	395 mm

In the drawing, a unit front thickness of 19 mm and a Gaggenuu unit handle of 49 mm were taken as a basis.

Base detail



Based on the standard height of the appliance, the height of the plinth is 102 mm. Maximum thickness of the plinth is 19 mm.