



RT282203
Fridge-freezer combination 200 series
With fresh cooling
Fully integrated
Niche width 56 cm, Niche height 177.5 cm

3 climate zones incl. 1 fresh cooling drawer with manually adjustable humidity
 Height adjustable safety glass shelves
 Door racks with aluminium profiles
 Cushioned door closing system allowing a soft and controlled door closure
 Net volume 286 litres

Handling
 Electronic temperature control with digital display.
 Touch keys.

Technical Features
 Dynamic cold air distribution.
 Automatic defrosting with defrost water evaporation.
 Cushioned door closing system from 20° door opening angle, integrated in door hinge.
 Open-door and malfunction alarm.

Cooling
 Temperature adjustable from +2 °C to +8 °C.
 4 safety glass shelves, of which 1 is fully extendable and 4 height adjustable.
 1 integrated shelf.
 Wine and champagne rack for 4 bottles, can be completely folded away.
 1 large door rack with aluminium profile for bottles with flexible bottle holder.
 5 door racks with aluminium profile.
 1 vegetable drawer.
 Bright interior lighting with integrated glare-free side light elements.
 Net volume 252 litres.

Fresh cooling
 1 full width fresh cooling drawer.
 Humidity can be adjusted manually.
 Ideal for fruit and vegetables.

Freezing
 Fast freezing.
 Storage temperature -18 °C and lower.
 4-star freezer compartment.
 Freezing capacity 3 kg/24 h.
 Storage time after a malfunction 22 h.
 Net volume 34 litres.

Consumption data
 Energy efficiency class A++ at a range of energy efficiency classes from A++ to D.
 Energy consumption 209 kWh/year.
 Noise level 36 dB (re 1 pW).

Planning notes
 Flat hinge.
 Door hinge right, reversible.
 Door opening angle of 115°, fixable at 90°.
 Max. door panel weight 22 kg.

Connection
 Total connected load 0.090 KW.
 Connecting cable 2.3 m with plug.

Characteristics
Built-in / Free-standing
 Built-in
Number of compressors
 1
Number of independent cooling systems
 1
Width of the appliance
 558
Height (mm)
 1772
Depth of the product
 545
Net weight (kg)
 67.026
Required niche size for installation (HxWxD)
 1775.0 x 560 x 550
Door panel options
 Not possible
Door hinge
 Right reversible
Number of Adjustable Shelves in fridge compartment
 4
Shelves for Bottles
 Yes
Frost free system
 No
Interior ventilator
 No
Reversible Door Hinge
 Yes
Length electrical supply cord (cm)
 230
Noise level (dB)
 36
Multi-Flow Air Tower
 No
Economy setting
 No
Cold technology
 1 compressor/1 cold circuit
Fast cooling switch
 Yes
Temperature Controlled Drawer
 No
Humidity Control Drawer
 Yes
Number of Door Bins - Refrigerator
 6
Door bin adjustability - Refrigerator
 No
Tilt-out door bins in fridge
 Yes
Gallon Storage
 Yes
Number of Gallon storage
 1
No. of shelves in fridge
 5
Motorized Shelf
 No
Material of the shelves
 Glas, plastic
Type of Light
Door opened indicator freezer
 Yes
Connection rating (W)
 90
Fuse protection (A)
 10
Voltage (V)
 220-240
Frequency (Hz)
 50
Energy consumption (kWh)
Freezing capacity (kg)
Energy efficiency rating
Energy consumption annual (kWh/annum) - NEW (2010/30/EC)
 209.00
Refrigerator Net capacity (l) - NEW (2010/30/EC)
 252
Freezer Net capacity (l) - NEW (2010/30/EC)
 34
Frost free system
 No
Freezing capacity (kg/24h) - NEW (2010/30/EC)

Color Variants

RT282203
 With fresh cooling
 Fully integrated

Included accessories

2 x egg tray.
 1 x wine and champagne rack.
 1 x ice cube tray.

Optional accessories

RA430100
 Storage container with transparent lid, anthracite.

RT282203

Fridge-freezer combination 200 series

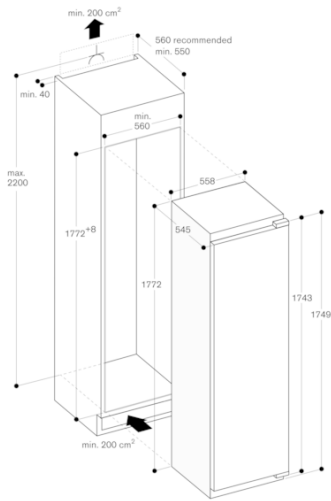
With fresh cooling

Fully integrated

Niche width 56 cm, Niche height 177.5 cm

2021-08-11

Page 2



GAGGENAU