



RW204070

Optional accessories

GH050010:

Handle ss 50 cm

RA220010:

Door Lock

RA250220:

Carbon airfilter

RA297600:

SbS Installation kit for RW204

wine climate cabinet 200 series

86 x 60 cm

RW204070

- Humidity level can be increased to avoid drying out of cork
- Two independently controllable climate zones from 5° to 20°
-

Highlights

Opening assist for door enabling seamless integration without handles.

2 independently controllable climate zones.

Consistent temperatures with exact control from +5 °C to +20 °C.

Humidity control.

Extendable bottle trays made of oak wood and aluminium.

Adjustable LED lighting.

Cushioned door closing system allowing a soft and controlled door closure.

Capacity 38 bottles (based on 0.75 l standard bottles).

Side-by-side installation possible with special accessory.

Handling

Opening assist for door.

Electronic temperature control with digital display.

Touch keys.

Presentation light option, dimmable.

Interior LED lighting (3000 K) with automatic dimming with opening and closing of door.

Lockable door (with door lock RA 220 010).

Technical features

Dynamic cold air distribution.

Automatic defrosting with defrost water evaporation.

Constant air purification by activated charcoal air filter in each climate zone.

UV protection (UV transmission: 19 %).

Rest mode certified by Star-K.

When rest mode is active, the appliance can only be opened using a handle.

Open-door and malfunction alarm.

Features

5 bottle trays, thereof 4 extendable.

Storage of Magnum bottles possible (up to 4 Magnum bottles).

LED lighting.

Total volume: 101 litres.

Consumption data

Energy efficiency class F at a range of energy efficiency classes from A to G.

Energy consumption 105 kWh/year.

Noise level 34 dB (A) re 1 pW.

Planning notes

Flat hinge.

Door hinge right, reversible.

Height-adjustable feet.

Door opening angle of 115°, fixable at 90°.

Max. door panel frame weight 10 kg.

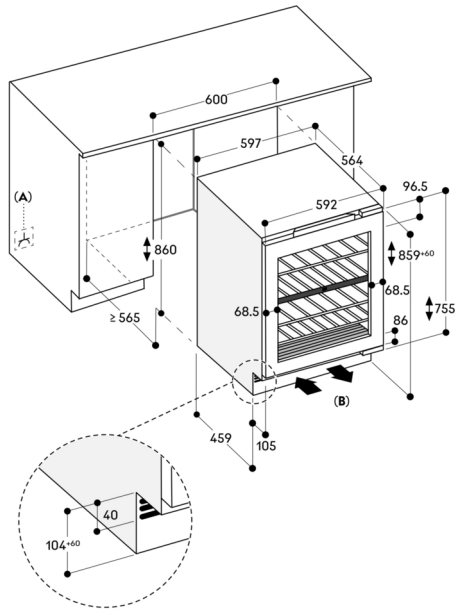
For integration next to a side wall a clearance of 7 mm/238 mm hinge side is necessary for door panel thickness of 19 mm without handle and a door opening angle of 90°/115°.

No transport/operation above 1500 m sea level.

Connection

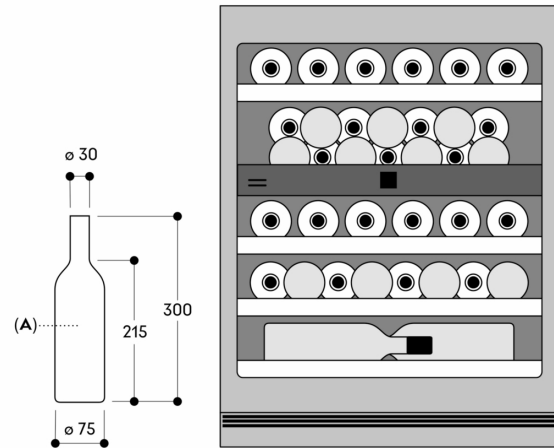
Total connected load 0.130 KW.

Connecting cable 2.2 m with plug.



A: Electrical connection
B: Min. 150 mm²
 Measurements in mm

Bottle storage



A: 0.75 litres
 Measurements in mm