



Color Variants

RW402261

Under-counter, stainless steel-framed glass door

Niche width 60 cm, Niche height 82 cm

Optional accessories

RA050220

Replacement activated charcoal air filter.

RA097600

Accessory for side-by-side installation of two under-counter wine climate cabinets

RW402261

Wine climate cabinet 200 series

Under-counter, stainless steel-framed glass door

Niche width 60 cm, Niche height 82 cm

1 climate zone for maximum storage capacity
 Consistent temperatures with exact control from +5 °C to +20 °C
 Humidity control
 Extendable bottle trays in beech and aluminium
 LED lighting
 Cushioned door closing system allowing a soft and controlled door closure
 Lockable door
 Number of standard wine bottles: 42
 Side-by-side installation possible with special accessory

Handling

Electronic temperature control with digital display.
 Touch keys.
 Presentation light option, dimmable.
 Interior lighting with automatic dimming with opening and closing of door.

Technical Features

Dynamic cold air distribution.
 Automatic defrosting with defrost water evaporation.
 Cushioned door closing system integrated in door hinge.
 1 activated charcoal air filter.
 UV-protection.
 Open-door and malfunction alarm.
 Dust filter, dishwasher-safe.

Features

Capacity 42 bottles (based on 0.75/l standard bottles).
 4 bottle trays, 3 of which are extendable.
 Storage of magnum bottles possible.
 LED lighting.
 Net volume 110 litres.

Consumption data

Energy efficiency class A at a range of energy efficiency classes from A+++ to G.
 Energy consumption 145 kWh/year.
 Noise level 38 dB (re 1 pW).

Planning notes

Flat hinge.
 Door hinge right, reversible.
 Height-adjustable feet.
 Door opening angle fixable at 95°.
 For integration next to a side wall a clearance of 150 mm hinge side is necessary.
 The mains socket needs to be planned outside the built-in niche.
 No transport/operation above 1500 m sea level.

Connection

Total connected load 0.130 KW.
 Connecting cable 2.0 m with plug.

Characteristics

Built-in / Free-standing

Built-in

Door panel options

Not possible

Height

818

Width of the appliance

597

Depth of the product

577

Required niche size for installation (HxWxD)

820 x 600 x 577.0

Net weight

48.000

Connection rating

130

Fuse protection

10

Voltage

220-240

Frequency

50

Approval certificates

VDE

Length electrical supply cord

200

Plug type

Gardy plug w/ earthing

Energy consumption (kWh/d) winecooler

Energy consumption per Year winecooler

Total unit gross capacity

135

Number of compressors

1

Number of independent cooling systems

1

Interior ventilator

Yes

Reversible Door Hinge

Yes

Interior light switch

No

Number of temperature zones

Range of temperature (°C)

5-20

Economy setting

No

Carbon Air Filter

No

Presenter Lighting

Yes

Presenter Shelf

No

Type of Glass Door

2 glass panels, UV-filter

Number of adjustable shelves

0

Number of shelves

4

Bottles per Shelf

Material of the shelves

Type of Light

Interior ventilator

Yes

Brand

Gaggenau

Product name / Commercial code

RW402261

Product category

Energy efficiency rating

Energy consumption annual - NEW (2010/30/EC)

145.00

Refrigerator Net capacity - NEW (2010/30/EC)

Freezer Net capacity - NEW (2010/30/EC)

Frost free system

Freezing capacity) - NEW (2010/30/EC)

Capacity in 0.75l (bordeaux bottles)

42

Climate class

SN-ST

Noise level

38

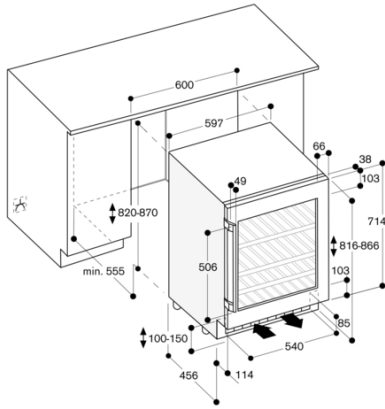
Universal Product Code

Color / Material body

GAGGENAU

RW402261
Wine climate cabinet 200 series
Under-counter, stainless steel-framed
glass door
Niche width 60 cm, Niche height 82 cm

2021-09-27
Page 2



Bottle storage

