



RW404261



Optional accessories

RA050220:

Carbon airfilter

RA097600:

SbS Installation kit for RW404 and RW402

Installation accessories

Wine cooler with glass door 200 series

82 x 60 cm

RW404261

2 independently controllable climate zones
Consistent temperatures with exact control from
+5 °C to +20 °C

Humidity control

Extendable bottle trays in beech and aluminium

LED lighting

Cushioned door closing system allowing a soft
and controlled door closure

Lockable door

Number of standard wine bottles: 34

Side-by-side installation possible with special
accessory

Handling

Electronic temperature control with digital
display.

Touch keys.

Presentation light option in each climate zone,
dimmable.

Interior lighting with automatic dimming with
opening and closing of door.

Technical features

Dynamic cold air distribution.

Automatic defrosting with defrost water
evaporation.

Cushioned door closing system integrated in
door hinge.

1 activated charcoal air filter for both climate
zones.

UV-protection.

Open-door and malfunction alarm.

Dust filter, dishwasher-safe.

Features

Capacity 34 bottles (based on 0.75 l standard
bottles).

5 bottle trays, 3 of which are extendable.

Storage of magnum bottles possible.

LED lighting.

Net volume 94 litres.

Consumption data

Energy efficiency class A at a range of energy
efficiency classes from A+++ to G.

Energy consumption 144 kWh/year.

Noise level 38 dB (re 1 pW).

Planning notes

Flat hinge.

Door hinge right, reversible.

Height-adjustable feet.

Door opening angle 115°, fixable at 95°.

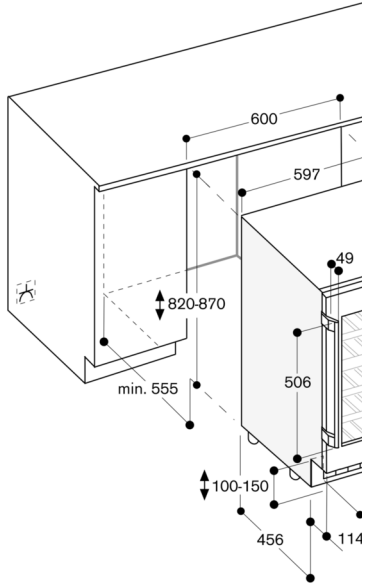
For integration next to a side wall a clearance of
150 mm hinge side is necessary.

The mains socket needs to be planned outside
the built-in niche.

No transport/operation above 1500 m sea level.

Connection

Connecting cable 2.0 m with plug.



Bottle storage

