



RW404261CN



Optional accessories

RA050200:
carbon air filter for RW 404/424

RA491630:
Extendable bottle tray for RW 414

Installation accessories

Wine cooler with glass door 200 series

82 x 60 cm

RW404261CN

2 independently controllable climate zones
Consistent temperatures with exact control from +5 °C to +20 °C
Humidity control
Extendable bottle trays in beech and aluminium
LED lighting
Cushioned door closing system allowing a soft and controlled door closure
Lockable door
Number of standard wine bottles: 34

Handling

Electronic temperature control with digital display.
Touch keys.
Presentation light option in each climate zone, dimmable.
Interior lighting with automatic dimming with opening and closing of door.

Technical features

Dynamic cold air distribution.
Automatic defrosting with defrost water evaporation.
Cushioned door closing system integrated in door hinge.
1 activated charcoal air filter for both climate zones.
UV-protection.
Open-door and malfunction alarm.
Dust filter, dishwasher-safe.

Features

Capacity 34 bottles (based on 0.75 l standard bottles).
5 bottle trays, 3 of which are extendable.
Storage of magnum bottles possible.
Net volume 93 litres.

Consumption data

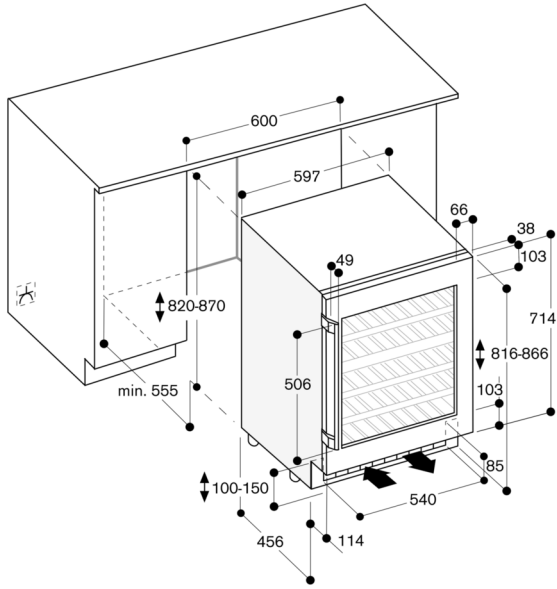
Energy consumption 144 kWh/year.
Noise level 38 dB (re 1 pW).

Planning notes

Flat hinge.
Door hinge right, reversible.
Height-adjustable feet.
Door opening angle 115°, fixable at 95°.
For integration next to a side wall a clearance of 150 mm hinge side is necessary.
The mains socket needs to be planned outside the built-in niche.
No transport/operation above 1500 m sea level.

Connection

Total connected load 0.130 KW.
Connecting cable 2.0 m with plug.



Bottle storage

