



RW414301
Vario wine climate cabinet 400 series
fully integrated
Niche width 45.7 cm, Niche height 213.4 cm

Two independently controllable climate zones
 Consistent temperatures with exact control from +5 °C to +20 °C
 Humidity control
 Stainless steel interior
 Fully extendable bottle trays in beech and aluminium
 Presentation light option
 Low-vibration operation
 Capacity 70 bottles

Handling

Electronic temperature control with digital display.

Technical Features

Dynamic cold air distribution.
 Automatic defrosting with defrost water evaporation.
 Activated charcoal air filter.
 UV-protection.
 Rest mode certified by Star-K.
 Open-door and malfunction alarm.

Features

Net volume 271 litres.
 Capacity 70 bottles (based on 0.75l standard bottles).
 10 fully extendable bottle trays, up to 4 of which for storage of magnum bottles.
 Space for max. 13 bottle trays or shelves in aluminium.
 Interior lighting with 2 ceiling spots in the upper and 1 ceiling spot in the lower climate zone, can be used as presentation light.

Consumption data

Energy efficiency class A at a range of energy efficiency classes from A+++ to G.
 Energy consumption 167 kWh/year.
 Noise level 42 dB (re 1 pW).

Planning notes

Flat hinge.
 Door hinge right, reversible.
 Door opening angle of 115°, fixable at 90°.
 Max. door panel weight 77 kg.
 The mains socket needs to be planned outside the built-in niche.

Connection

Total connected load 0.121 kW.
 Connecting cable 3.0 m, pluggable.

Characteristics

Built-in / Free-standing
 Built-in
Door panel options
 Not possible
Height (mm)
 2125
Width of the product (mm)
 451
Depth of the product
 608
Required niche size for installation (HxWxD)
 2134.0 x 457.0 x 610
Net weight (kg)
 139.000
Connection Rating (W)
 121
Current (A)
 10
Voltage (V)
 220-240
Frequency (Hz)
 50
Approval certificates
 CE, VDE
Length electrical supply cord (cm)
 300
Plug type
 Gardy plug w/ earthing
Energy consumption (kWh/d) winecooler
 0.62
Energy consumption per Year (kWh/a) winecooler
 227.8
Total unit gross capacity (l)
 311
Number of compressors
 1
Number of independent cooling systems
 1
Interior ventilator
 Yes
Reversible Door Hinge
 Yes
Interior light switch
 No
Number of temperature zones
Range of temperature (°C)
 5-20
Economy setting
 Yes
Carbon Air Filter
 No
Presenter Lighting
 Yes
Presenter Shelf
 Yes
Type of Glass Door
 2 glass panels
Number of adjustable shelves
 0
Number of shelves
 10
Bottles per Shelf
Material of the shelves
Type of Light
Interior ventilator
 Yes

Consumption and connection features

Brand
 Gaggenau
Product name / Commercial code
 RW414301
Product category
 Winestorage
Energy efficiency class - NEW (2010/30/EC)
 A
Energy consumption annual (kWh/annum) - NEW (2010/30/EC)
 167.00
Capacity in 0.75l (bordeaux bottles)
 70
Climate class
 SN-T
Noise level (dB)
 42

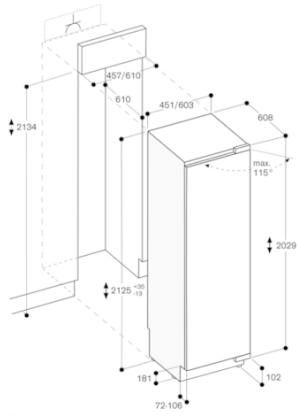
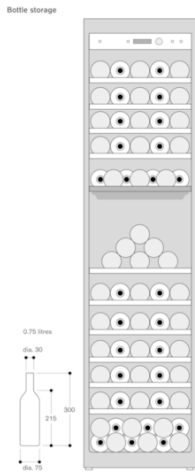
Minimum Product Code

Color Variants

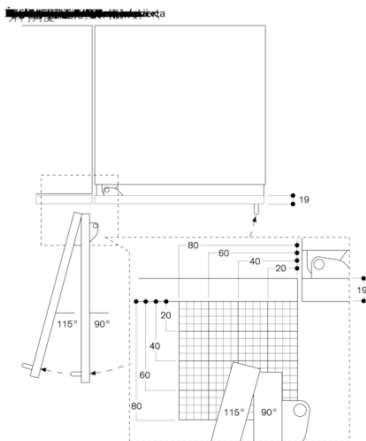
RW414301
fully integrated
Niche width 45.7 cm, Niche height 213.4 cm

Installation Accessories

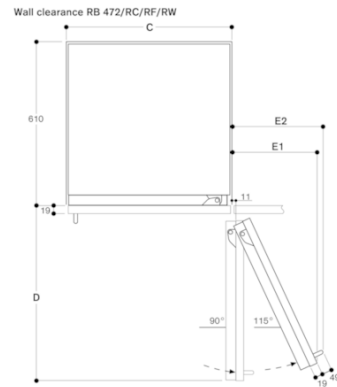
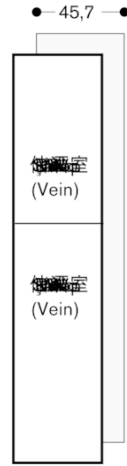
RA420010
Door lock for RW 414 and RW 464.
RA421110
Stainless steel door panel with handle
RA425110
Handle bar, stainless steel, long
RA460020
Connecting element for vertically split appliance fronts (for a flush front).



The maximum door panel dimensions are based on a clearance of 3 mm.



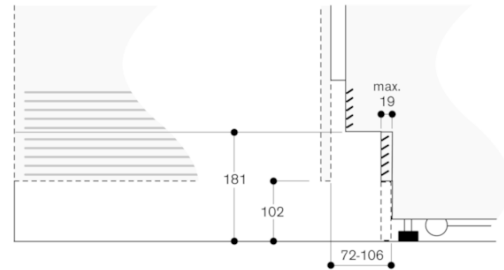
© 2019 Gaggenau AG. Alle Rechte vorbehalten. www.gaggenau.com



Recess width	D	E1	E2
457 mm	525 mm	235 mm	265 mm
610 mm	677 mm	299 mm	330 mm
762 mm	830 mm	363 mm	395 mm

In the drawing, a unit front thickness of 19 mm and a Gaggenau unit handle of 49 mm were taken as a basis.

Base detail



Based on the standard height of the appliance, the height of the plinth is 102 mm. Maximum thickness of the plinth is 19 mm.