



Color Variants

RW414304
Fully integrated, with solid door
Niche width 45.7 cm, Niche height 213.4 cm

Included accessories

1 x connection set.

Optional accessories

RA430000
Screw hole cover set. 8 pieces.
RA491161
Fully extendable bottle trays with hidden telescopic rails in oak wood and solid aluminium in anthracite
RA492160
Removable shelf with oak wood frame
RA493060
Presenter in oak wood and aluminium in anthracite for single bottle display
RA498140
Bottle support in oak wood for convenient storage of bottles on the divison plate.

Installation Accessories

RA420010
Door lock for RW 414, RW 464 and RW 466.
RA421110
Stainless steel door panel with handle
RA423140
Side trims, long.
RA425110
Handle bar, stainless steel, long
RA428110
Stainless steel door panel, handleless
RA460013
RA460020
Connecting element for vertically split appliance fronts (for a flush front).
RA464111
Ventilation grille stainless steel

RW414304
Vario wine climate cabinet 400 series
Fully integrated, with solid door
Niche width 45.7 cm, Niche height 213.4 cm

2 independently controllable climate zones
Consistent temperatures with exact control from +5 °C to +20 °C
Humidity control
Stainless steel interior
Fully extendable bottle trays in oak wood and solid aluminium in anthracite
Bottle trays with hidden telescopic rails
Warm white and glare-free LED light spots
5 preset lighting scenarios, selectable via TFT display
Opening assist for door with two options:
1. Push-to-open function for integration into handleless furniture front
2. Pull-to-open function to facilitate opening the door using a handle
Low-vibration operation
TFT touch display
Number of standard wine bottles: 70

Handling

TFT touch display operation.
Clear text display.

Technical Features

Dynamic cold air distribution.
Automatic defrosting with defrost water evaporation.
Cushioned door closing system.
Activated charcoal air filter.
UV-protection.
Rest mode certified by Star-K.
When rest mode is active, the appliance can only be opened using a handle.
Open-door and malfunction alarm.
Home network integration for digital services (Home Connect) wireless via WiFi.
The use of the Home Connect functionality depends on the Home Connect services, which are not available in every country. For further information please check: home-connect.com.

Features

Net volume 263 litres.
Capacity 70 bottles (based on 0.75/l standard bottles).
12 bottle trays,
- 10 fully extendable trays
- 3 suitable for storage of Magnum bottles.
Flexible interior configuration possible by adding or removing fully extendable bottle trays.
Storage of up to 6 Magnum bottles with standard tray configuration (12 bottle trays).
Space for max. 13 bottle trays.
2 brilliant LED light spots with warm white, glare-free light in each climate zone.
5 different lighting scenarios can be selected for individual wine presentation.

Consumption data

Energy efficiency class A+ at a range of energy efficiency classes from A+++ to G.
Energy consumption 127 kWh/year.
Noise level 42 dB (re 1 pW).

Planning notes

Flat hinge.
Door hinge right, reversible.

Characteristics

Built-in / Free-standing
Built-in
Door panel options
Not possible
Height (mm)
2125
Width of the appliance
451
Depth of the product
608
Required niche size for installation (HxWxD)
2134.0 x 457.0 x 610
Net weight (kg)
135,000
Connection rating (W)
300
Current (A)
10
Voltage (V)
220-240
Frequency (Hz)
50-60
Approval certificates
VDE
Length electrical supply cord (cm)
300
Plug type
Gardy plug w/ earthing
Energy consumption (kWh/d) winecooler
0.35
Energy consumption per Year (kWh/a) winecooler
126.7
Total unit gross capacity (l)
310
Number of compressors
1
Number of independent cooling systems
1
Interior ventilator
Yes
Reversible Door Hinge
Yes
Interior light switch
No
Number of temperature zones
Range of temperature (°C)
5-20
Economy setting
Yes
Carbon Air Filter
No
Presenter Lighting
Yes
Presenter Shelf
Yes
Type of Glass Door
Number of adjustable shelves
0
Number of shelves
10
Bottles per Shelf
4
Material of the shelves
Type of Light
Interior ventilator
Yes
Brand
Gaggenau
Product name / Commercial code
RW414304
Product category
Energy efficiency rating
Energy consumption annual (kWh/annum) - NEW (2010/30/EC)
127.00
Capacity in 0.75l (bordeaux bottles)
70
Climate class
SN-T
Noise level (dB)
42
Universal Product Code
Color / Material body
Door panel options
Not possible
Installation typology
N/A

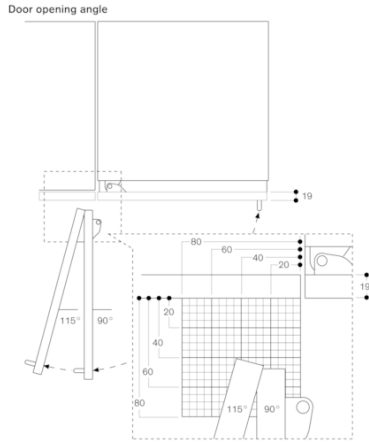
Door opening angle of 115°, fixable at 90°.

Max. door panel weight 76 kg.
The mains socket needs to be planned outside the built-in niche.

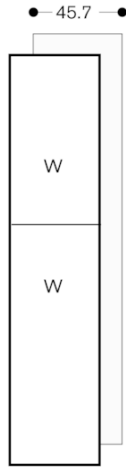
Connection

Total connected load 0.300 KW.
Connecting cable 3.0 m, pluggable.

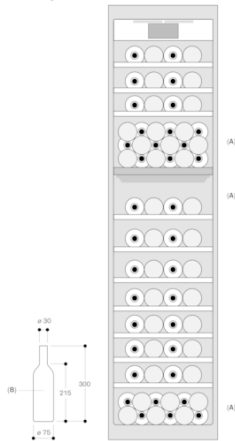
GAGGENAU



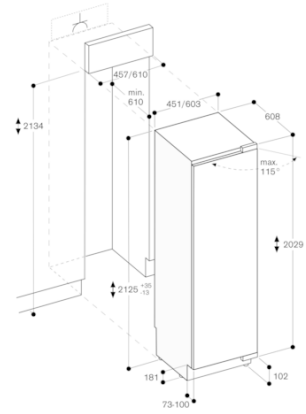
The hinge travel and resulting clearances from adjacent furniture units and handles can be found from the drawing while allowing for the thickness of the front panel. In the drawing, a furniture unit front panel thickness of 19 mm was assumed.



Bottle storage

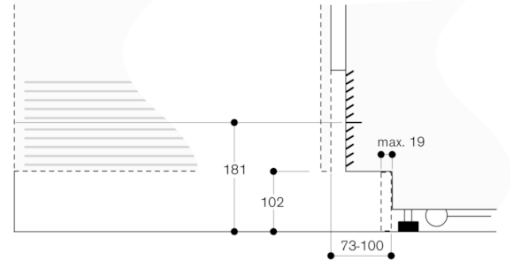


A: Suitable area for storage of magnum bottles in standard tray configuration
 B: 0.75 liter
 Measurements in mm



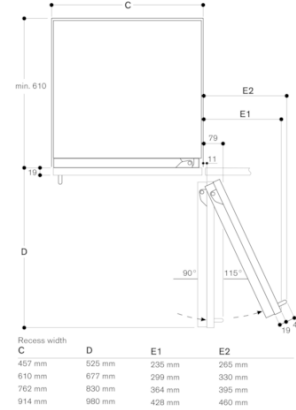
The maximum door panel dimensions are based on a clearance of 3 mm.

Base detail



Based on the standard appliance height, the height of the plinth is 102 mm. Maximum plinth thickness 19 mm.

Wall clearance RB 472/RC/RF/RW



Recess width	C	D	E1	E2
457 mm	525 mm	235 mm	265 mm	
610 mm	677 mm	299 mm	330 mm	
762 mm	830 mm	364 mm	395 mm	
914 mm	980 mm	428 mm	460 mm	

In the drawing, a unit front thickness of 19 mm and a Gaggenau unit handle of 49 mm were taken as a basis.