



RW464361
Vario wine climate cabinet 400 series
Fully integrated, with glass door
Niche width 61 cm, Niche height 213.4 cm

B

2 independently controllable climate zones
 Consistent temperatures with exact control from +5 °C to +20 °C
 Humidity control
 Stainless steel interior
 Fully extendable bottle trays in beech and aluminium
 Presentation light option
 Low-vibration operation
 Number of standard wine bottles: 98

Handling

Electronic temperature control with digital display.

Technical features

Dynamic cold air distribution.
 Automatic defrosting with defrost water evaporation.
 Activated charcoal air filter.
 UV-protection.
 Rest mode certified by Star-K.
 Open-door and malfunction alarm.

Features

Net volume 390 litres.
 Capacity 98 bottles (based on 0.75 l standard bottles).
 10 fully extendable bottle trays, up to 4 of which for storage of magnum bottles.
 Space for max. 13 bottle trays or shelves in aluminium.
 Interior lighting with 2 ceiling spots in each climate zone, can be used as presentation light.

Consumption data

Energy efficiency class B at a range of energy efficiency classes from A+++ to G.
 Energy consumption 237 kWh/year.
 Noise level 42 dB (re 1 pW).

Planning notes

Flat hinge.
 Door hinge right, reversible.
 Door opening angle of 115°, fixable at 90°.
 Max. door panel weight 67 kg.
 The mains socket needs to be planned outside the built-in niche.
 No transport/operation above 1500 m sea level.

Connection

Total connected load 0.131 KW.
 Connecting cable 3.0 m, pluggable.

Characteristics

Built-in / Free-standing
 Built-in
Door panel options
 Not possible
Height
 2125
Width of the appliance
 603
Depth of the product
 608
Min. required niche size for installation (HxWxD)
 2134.0 x 610 x 610
Connection rating
 131
Fuse protection
 10
Voltage
 220-240
Frequency
 50
Plug type
 Gardy plug w/ earthing
Energy consumption winecooler
 0.65
Energy consumption per Year winecooler
 236.5
Total unit gross capacity
 445
Number of compressors
 1
Number of independent cooling systems
 1
Interior ventilator
 Yes
Reversible Door Hinge
 Yes
Interior light switch
 No
Number of temperature zones
 Range of temperature (°C)
 5-20
Economy setting
 Yes
Carbon Air Filter
 No
Presenter Lighting
 Yes
Presenter Shelf
 Yes
Type of Glass Door
 2 glass panels
Number of adjustable shelves
 0
Number of shelves
 10
Bottles per Shelf
Material of the shelves
Type of Light
Interior ventilator
 Yes
Brand
 Gaggenau
Product name / Commercial code
 RW464361
Product category
Energy efficiency rating
 B
Energy consumption annual - NEW (2010/30/EC)
 237.00
Refrigerator Net capacity - NEW (2010/30/EC)
Freezer Net capacity - NEW (2010/30/EC)
Frost free system
Freezing capacity) - NEW (2010/30/EC)
Capacity in 0.75l (bordeaux bottles)
 98
Climate class
 SN-T
Noise level
 42
Color / Material body
Door panel options
 Not possible
Installation typology
 N/A
Noise level

Color Variants

RW464361
Fully integrated, with glass door
Niche width 61 cm, Niche height 213.4 cm

Installation Accessories

RA420010
Door lock for RW 414, RW 464 and RW 466.
RA421611
Stainless steel door panel frame with handle
RA421612
Stainless steel door panel frame with handle
RA425110
Handle bar, stainless steel, long

GAGGENAU

RW464361

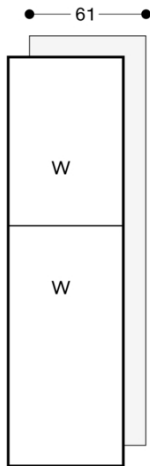
Vario wine climate cabinet 400 series

Fully integrated, with glass door

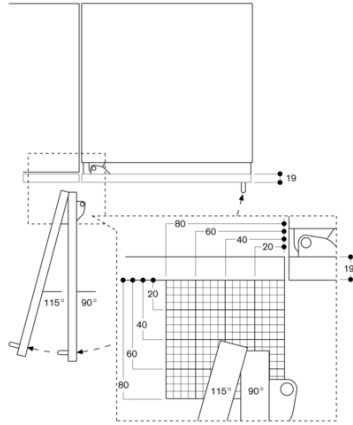
Niche width 61 cm, Niche height 213.4 cm

2023-05-11

Page 2

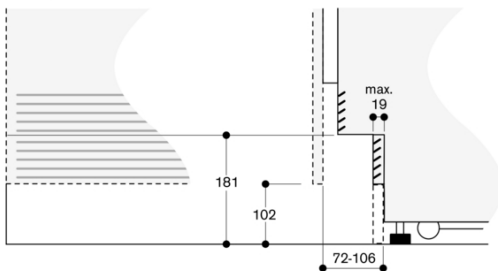


Door opening angle



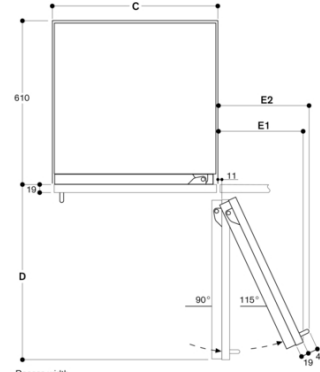
The hinge travel and resulting clearances from adjacent furniture units and handles can be found from the drawing while allowing for the thickness of the front panel. In the drawing, a furniture unit front panel thickness of 19 mm was assumed.

Base detail



Based on the standard height of the appliance, the height of the plinth is 102 mm. Maximum thickness of the plinth is 19 mm.

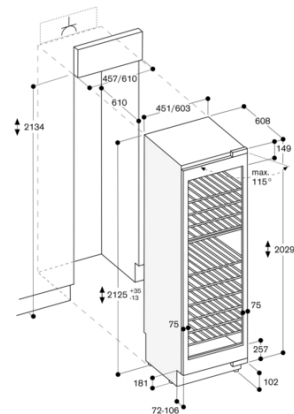
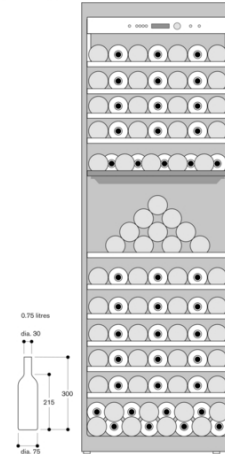
Wall clearance RB 472/RC/RF/RW



Recess width	D	E1	E2
C	457 mm	525 mm	235 mm
	610 mm	677 mm	299 mm
	762 mm	830 mm	363 mm
			395 mm

In the drawing, a unit front thickness of 19 mm and a Gaggenau unit handle of 49 mm were taken as a basis.

Bottle storage



The maximum door panel dimensions are based on a clearance of 3 mm.

RW464361
Vario wine climate cabinet 400 series
Fully integrated, with glass door
Niche width 61 cm, Niche height 213.4 cm

2023-05-11
Page 3

