



**RW466964**

#### Included accessories

1 x connection set

#### Optional accessories

**RA430000:**

Screw hole cover set

**RA491661:**

Extendable bottle tray, oak wood, RW 466

**RA492660:**

Tray, oak wood, for RW466

**RA493060:**

DECOR FRAME RA 493-060

#### installation accessories

**RA421612:**

SS doorframe 61cm / 24" right

**RA423140:**

Side trims, long

**RA425110:**

Vario SS handle 1131 mm

**RA428611:**

SS doorframe w/o handle 61cm / 24"

**RA460013:**

Heating side kit 230V

**RA460020:**

Frontpanel connection long

**RA464611:**

Ventilation grille 61cm / 24" w/o filter

**RA420010:**

Door lock for RW 414 and RW 464/466

**RA421611:**

SS doorframe 61cm / 24" left

#### Vario wine climate cabinet 400 series

213.4 x 61 cm

**RW466964**

3 independently controllable climate zones  
Consistent temperatures with exact control from +5 °C to +20 °C.

Humidity control.

Stainless steel interior

Fully extendable bottle trays in oak wood and solid aluminium in anthracite.

Bottle trays with hidden telescopic rails

Warm white and glare-free LED light spots

5 preset lighting scenarios, selectable via TFT display

Opening assist for door with two options:

1. Push-to-open function for integration into handleless furniture front
2. Pull-to-open function to facilitate opening the door using a handle

Low-vibration operation

TFT touch display

Number of standard wine bottles: 99

#### Handling

TFT touch display operation.

Clear text display.

Lockable door (with door lock RA 420 010).

#### Technical features

Dynamic cold air distribution.

Automatic defrosting with defrost water evaporation.

Activated charcoal air filter.

UV-protection.

Rest mode certified by Star-K.

When rest mode is active, the appliance can only be opened using a handle.

Open-door and malfunction alarm.

#### Selected digital services (Gaggenau Home Connect)

Remote control and monitoring.

Remote diagnostics.

Light scenarios.

Home network integration for digital services (Home Connect) wireless via WiFi.

The use of the Home Connect functionality depends on the Home Connect services, which are not available in every country. For further information please check: [home-connect.com](http://home-connect.com).

#### Features

Capacity 99 bottles (based on 0.75 l standard bottles).

12 bottle trays,

- 9 fully extendable trays

- 3 suitable for storage of Magnum bottles.

Flexible interior configuration possible by adding or removing fully extendable bottle trays.

Storage of up to 12 Magnum bottles with standard tray configuration (12 bottle trays).

Space for max. 12 bottle trays.

2 brilliant LED light spots with warm white, glare-free light (3500 K) in each climate zone.

5 different lighting scenarios can be selected for individual wine presentation.

Net volume 361 litres.

#### Consumption data

Energy consumption 171 kWh/year.

Noise level 42 dB (re 1 pW).

#### Planning notes

Flat hinge.

Door hinge right, reversible.

Door opening angle of 115°, fixable at 90°.

Max. door panel weight 73 kg.

The mains socket needs to be planned outside the built-in niche.

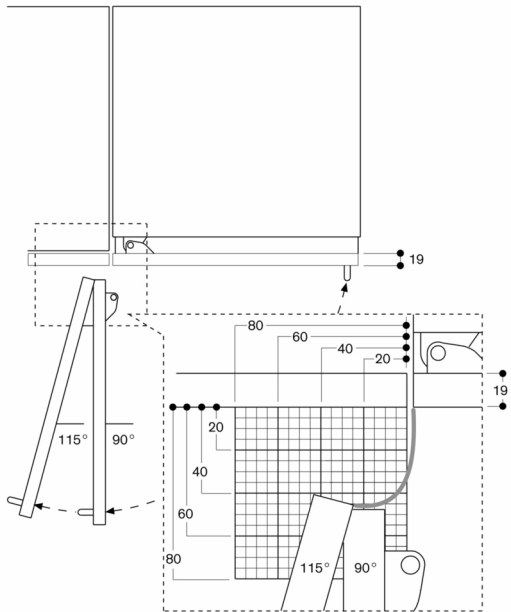
No transport/operation above 2000 m sea level.

#### Connection

Total connected load: 0.300 KW.

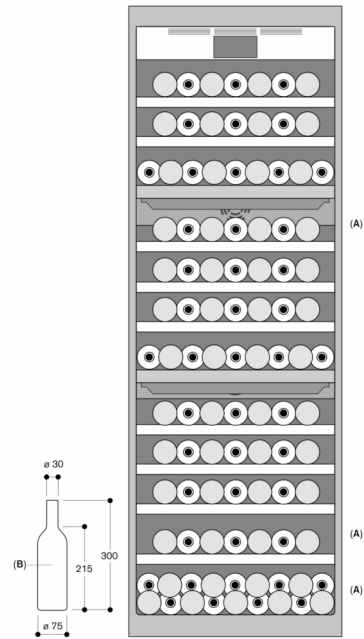
Connecting cable 3.0 m, pluggable.

Door opening angle



The hinge travel and resulting clearances from adjacent furniture units and handles can be found from the drawing while allowing for the thickness of the front panel. In the drawing, a furniture unit front panel thickness of 19 mm was assumed.

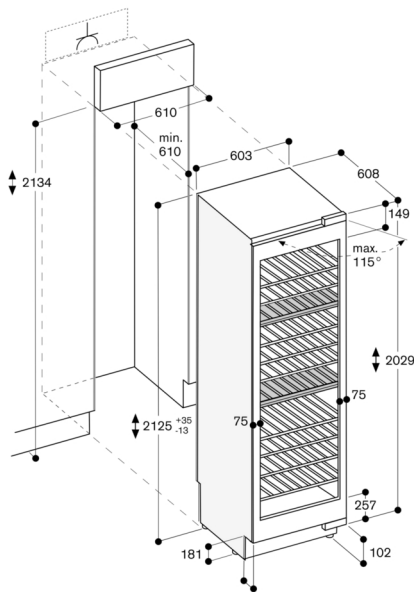
Bottle storage



A: Suitable area for storage of magnum bottles in standard tray configuration

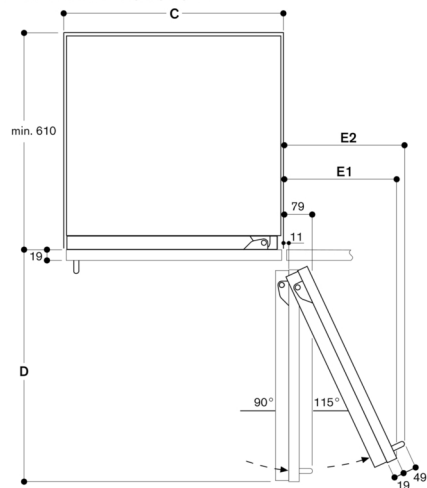
B: 0.75 litres

Measurements in mm



The maximum door panel dimensions are based on a clearance of 3 mm.

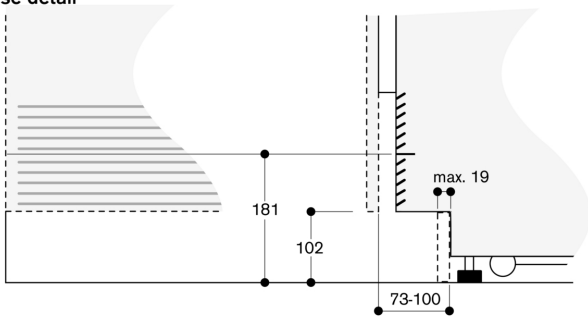
Wall clearance RB 472/RC/RF/RW



Recess width	D	E1	E2	
C	457 mm	525 mm	235 mm	265 mm
	610 mm	677 mm	299 mm	330 mm
	762 mm	830 mm	364 mm	395 mm
	914 mm	980 mm	428 mm	460 mm

In the drawing, a unit front thickness of 19 mm and a Gaggenau unit handle of 49 mm were taken as a basis.

Base detail



Based on the standard appliance height, the height of the plinth is 102 mm. Maximum plinth thickness 19 mm.

