



**VF414110**  
**Vario deep fryer 400 series**  
**Stainless steel**  
**Width 38 cm**

**Three-zone basin, without flavour transfer**  
**Exact temperature control, no drop in output**  
**Integrated frying basket suspension**  
**Solid stainless steel control knob**  
**Precision crafted 3 mm stainless steel**  
**For surface mounting with a visible edge or for flush mounting**  
**Can be combined perfectly with other Vario appliances of the 400 series**

**Cooking zones**  
 Three-zone basin.  
 Oil capacity 3.5 litres.

**Handling**  
 Control knobs with illuminated ring, oil/fat selection and temperature marking.  
 Electronic temperature control from 135 °C to 190 °C, in 5 °C steps.

**Features**  
 Cleaning setting.  
 Gentle fat melting setting.  
 Foaming zone.  
 Frying zone.  
 Cold oil zone.  
 Swing-out heating element (3000 W).

**Safety**  
 Oil drain valve with child lock.  
 Safety shut-off.

**Planning notes**  
 Depending on the type of installation (surface-mounted or flush-mounted, with or without an appliance cover), the specific location of the cut-out and the knob positions may vary.  
 If installing with the appliance cover VA 440 or filler strip VA 450 take into account the additional space required for the depth.  
 If combining several appliances with at least one appliance cover, the filler strip VA 450 is required to compensate for the depth of the appliance without the appliance cover.  
 If combining several Vario appliances of the 400 series, a connection strip VA 420 must be placed between the appliances. Depending on the type of installation, the corresponding connection strip must be provided.  
 In the cut-out, the installation system requires the side edge to be at least 10 mm for surface mounting and at least 13 mm for flush mounting. Ensure a continuous cut surface of 90°.  
 The bearing capacity and stability, in the case of thin worktops in particular, must be supported using suitable substructures. Take into account the appliance weight and additional loads.  
 Additional instructions for flush mounting:  
 Installation is possible in worktops made of stone, synthetics or solid wood. Heat resistance and watertight sealing of the cut edges must be observed. Concerning other materials please consult the worktop manufacturer.  
 The groove must be continuous and even, so that uniform placing of the appliance on the gasket is ensured. Do not use discontinuous lining.  
 The joint width may vary due to size tolerances of the combinations and of the worktop cut-out.

**Characteristics**  
**Product name/family**  
 Vario/Domino deep fryer  
**Built-in / Free-standing**  
 Built-in  
**Energy input**  
 Electric  
**Type of control**  
 Electronic  
**Type of control setting and signalling devices**  
 Cylindrical controls  
**Required niche size for installation (HxWxD)**  
 270 x 360 x 490  
**Width of the product (mm)**  
 380  
**Dimensions of the product (mm)**  
 270 x 380 x 520  
**Dimensions of the packed product (HxWxD) (mm)**  
 380 x 451 x 590  
**Net weight (kg)**  
 12.945  
**Gross weight (kg)**  
 15.5  
**Power on indicator**  
 Yes  
**Location of control panel**  
**Type of regulation**  
 Stepless energy regulated  
**Basic surface material**  
 Stainless steel  
**Color of surface**  
 Stainless steel, Stainless steel  
**Color of frame**  
 Stainless steel  
**Approval certificates**  
 Australia Standards, CE, China, Eurasian, G-Mark, Ukraine, VDE  
**Length electrical supply cord (cm)**

**Consumption and connection features**  
**Electrical connection rating (W)**  
 3000  
**Current (A)**  
 16  
**Voltage (V)**  
 220-240  
**Frequency (Hz)**  
 60; 50  
**2019-10-29**  
 Page 1

If installing several appliances in individual cut-outs allow for a division bar of minimum 50 mm between the individual cut-outs.  
 Plan a door in the bottom cabinet for operation of the oil drain valve.  
 Built-in control panel to be integrated in the bottom cabinet at drawer level.  
 Panel thickness 16 - 26 mm.  
 The drawing "Installation of the control knob" must be observed if the panel is more than 26 mm thick (there must be a recess at the rear).  
 VF 414 and VK 414 must not be installed directly next to each other.  
 A minimum clearance of at least 40 mm from the appliance edge to the wall or to adjacent furniture must be observed.  
 Appliance can be snapped into the worktop from above.  
 Appliance weight: approx. 13 kg.

**Connection**  
 Total connected load 3.0 kW.  
 Plan a connection cable.

**Color Variants**

**VF414110**  
**Stainless steel**  
**Width 38 cm**

**Included accessories**

1 x deep-fat frying basket.

**Installation Accessories**

**VA420000**  
 Connection strip for combination with other Vario appliances of the 400 series for flush mounting

**VA420001**  
 Connection strip for combination with other Vario appliances of the 400 series for flush mounting with appliance cover/filler strip

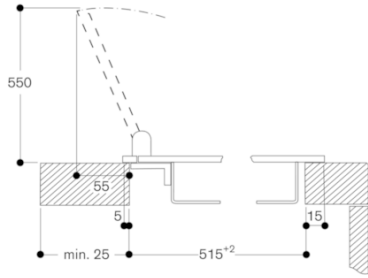
**VA420010**  
 Connection strip for combination with other Vario appliances of the 400 series for surface mounting

**VA420011**  
 Connection strip for combination with other Vario appliances of the 400 series for surface mounting with appliance cover/filler strip

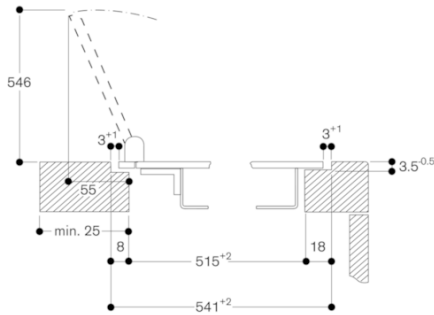
**VA440010**  
 Stainless steel appliance cover with mounting strip

**VA450400**  
 Stainless steel filler strip 38 cm

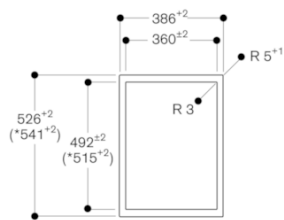
Installation with appliance cover/spacer batten;  
 installation standing proud of surrounding surfaces



Installation with appliance cover/spacer batten;  
 installation flush with surrounding surfaces

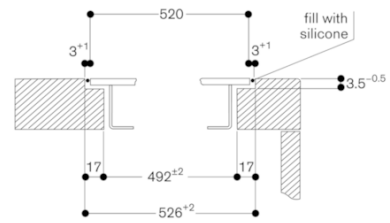


View from above



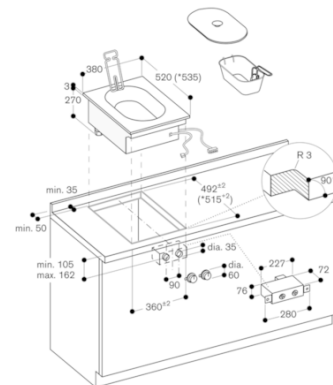
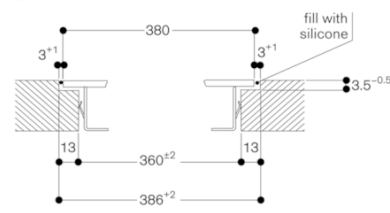
\* with appliance cover or filler strip  
 (observe the front and rear asymmetrical support,  
 see separate notes "Installation with appliance  
 cover/filler strip").

Cross-section



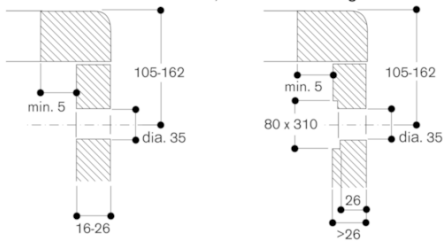
When installing with appliance cover or filler strip, pay attention  
 to the deeper cut-out and the front and rear groove width.

Longitudinal section



\* with appliance cover or filler strip.  
 See separate planning notes.

Installation of the control knob; surface mounting



Installation of the control knob; flush installation

