



#### Color Variants

VG231114F  
Stainless steel control panel  
Width 28 cm

#### Optional accessories

VD201014  
Brushed stainless steel appliance cover  
WP400001  
Wok pan made of multiple-layer material

#### Installation Accessories

VV200014  
Stainless steel connection strip for combination with other Vario appliances of the 200 series

#### VG231114F

Vario gas wok 200 series  
Stainless steel control panel  
Width 28 cm  
Liquid gas 28 - 37 mbar  
Wok burner with up to 5.8 KW

Can be combined with the cooktops of the Vario 200 series to a harmonic unity  
Generous control panel for comfortable and secure operation  
Multi-ring burner of solid, heat-resistant brass as used in professional kitchen  
Total output up to 5.8 KW

#### Cooking zones

1 multi-ring wok burner (270 W – 5800 W), suitable for pots up to max. ø 32 cm.

#### Handling

One-handed operation.  
Electric ignition.  
To close the cover, the cast iron pan support can be easily reversed.

#### Features

Cast iron pan support.  
Brass burner rings.

#### Safety

Thermoelectric safety pilot.

#### Planning notes

Maximum drawer depth 42 cm.  
Appliance can be snapped into the worktop from above.  
A minimum clearance of at least 150 mm from adjacent heat-sensitive furniture or contact surfaces must be observed or thermal insulation fitted.  
With a total connected load of more than 11 kW local regulations concerning room ventilation, room size and combination of extraction or recirculation hoods must be observed.  
Minimum clearance between gas cooktop(s) with more than 11 kW and ventilation hood 70 cm.  
Special nozzles (order 1 of each): Part No. 622148 Natural gas 20 mbar Part No. 622150 Liquid gas 50 mbar Part No. 622151 Liquid gas 28-30/37 mbar  
Appliance weight: approx. 9 kg.

#### Connection

Total connected load gas 5.8 kW.  
Total connected load electric 1.0 W.  
Connecting cable 1.4 m with plug.

#### Characteristics

**Product name/family**  
Vario/Domino gas hob w control

**Built-in / Free-standing**  
CONSTR\_TYPE.Built-in

**Energy input**  
Gas

**Total number of positions that can be used at the same time**  
1

**Required niche size for installation (HxWxD)**  
88 x 268 x 490

**Width of the product (mm)**  
288

**Dimensions of the product (mm)**  
88 x 288 x 523

**Dimensions of the packed product (HxWxD) (mm)**  
230 x 410 x 600

**Net weight (kg)**  
9.400

**Gross weight (kg)**  
10.8

**Residual heat indicator**  
without

**Location of control panel**  
Hob front

**Basic surface material**  
brushed stainless steel

**Color of surface**  
Stainless steel

**Color of frame**  
Stainless steel

**Approval certificates**  
CE, Eurasian, G-Mark, VDE

**Length electrical supply cord (cm)**  
140

#### Consumption and connection features

**Electrical connection rating (W)**  
1

**Gas connection rating (W)**  
5800

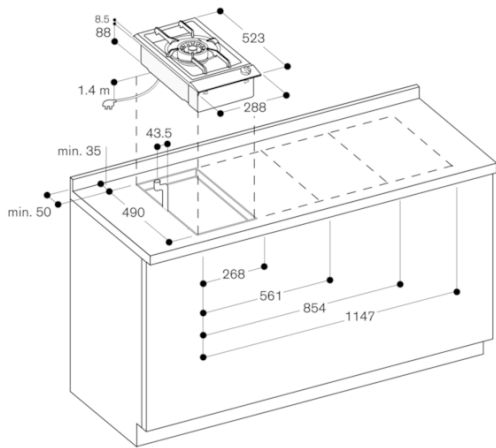
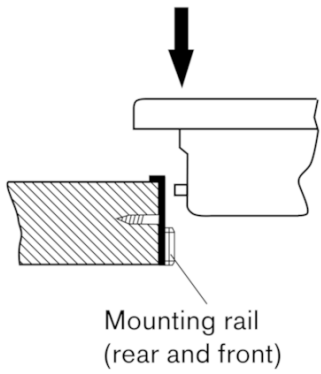
**Current (A)**  
10

**Voltage (V)**  
220-240

**Frequency (Hz)**  
60; 50

2019-11-08  
Page 1

VG231114F  
Vario gas wok 200 series  
Stainless steel control panel  
Width 28 cm  
Liquid gas 28 - 37 mbar  
Wok burner with up to 5.8 KW  
2019-11-08  
Page 2



### Gas connection

