



#### Color Variants

VG231214  
Stainless steel control panel  
Width 28 cm

#### Optional accessories

VD201014  
Brushed stainless steel appliance cover  
WP400001  
Wok pan made of multiple-layer material

#### Installation Accessories

VV200014  
Stainless steel connection strip for combination with other Vario appliances of the 200 series

#### VG231214

Vario gas wok 200 series  
Stainless steel control panel  
Width 28 cm  
Natural gas 20 mbar  
Wok burner with up to 6 KW

Can be combined with the cooktops of the Vario 200 series to a harmonic unity  
Generous control panel for comfortable and secure operation  
Multi-ring burner of solid, heat-resistant brass as used in professional kitchen  
Total output up to 6 KW

#### Cooking zones

1 multi-ring wok burner (280 W – 6000 W), suitable for pots up to max. ø 32 cm.

#### Handling

One-handed operation.  
Electric ignition.  
To close the cover, the cast iron pan support can be easily reversed.

#### Features

Cast iron pan support.  
Brass burner rings.

#### Safety

Thermoelectric safety pilot.

#### Planning notes

Maximum drawer depth 42 cm.  
Appliance can be snapped into the worktop from above.  
A minimum clearance of at least 150 mm from adjacent heat-sensitive furniture or contact surfaces must be observed or thermal insulation fitted.  
With a total connected load of more than 11 kW local regulations concerning room ventilation, room size and combination of extraction or recirculation hoods must be observed.  
Minimum clearance between gas cooktop(s) with more than 11 kW and ventilation hood 70 cm.  
Special nozzles (order 1 of each): Part No. 622148 Natural gas 20 mbar Part No. 622150 Liquid gas 50 mbar Part No. 622151 Liquid gas 28-30/37 mbar  
Appliance weight: approx. 10 kg.

#### Connection

Total connected load gas 6.0 kW.  
Total connected load electric 1.0 W.  
Connecting cable 1.4 m with plug.

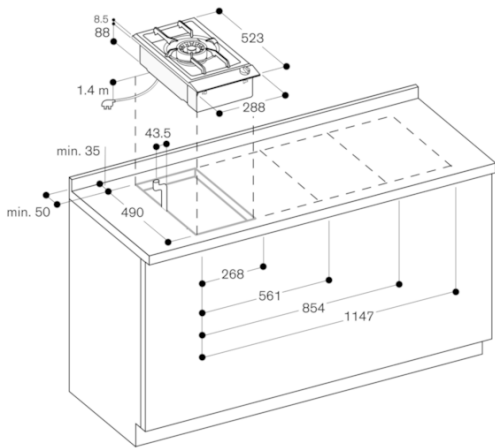
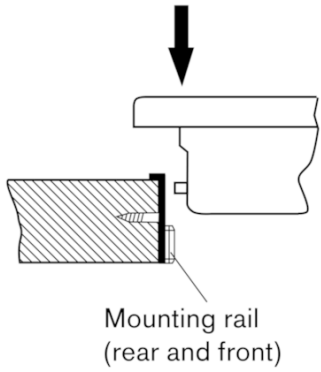
#### Characteristics

Product name/family  
Vario/Domino gas hob w control  
Built-in / Free-standing  
CONSTR\_TYPE.Built-in  
Energy input  
Gas  
Total number of positions that can be used at the same time  
1  
Required niche size for installation (HxWxD)  
88 x 268 x 490  
Width of the product (mm)  
288  
Dimensions of the product (mm)  
88 x 288 x 523  
Dimensions of the packed product (HxWxD) (mm)  
230 x 410 x 600  
Net weight (kg)  
9.540  
Gross weight (kg)  
10.8  
Residual heat indicator  
without  
Location of control panel  
Hob front  
Basic surface material  
brushed stainless steel  
Color of surface  
Stainless steel  
Color of frame  
Stainless steel  
Approval certificates  
CE, Eurasian, Ukraine, VDE  
Length electrical supply cord (cm)  
140

#### Consumption and connection features

Electrical connection rating (W)  
1  
Gas connection rating (W)  
6000  
Current (A)  
10  
Voltage (V)  
220-240  
Frequency (Hz)  
50; 60

2019-10-29  
Page 1



**Gas connection**

