

VG232120F

VD200020:

Black cover series 200

VV200010:

Connecting strip series 200 ss

VV200020:

Connecting strip series 200 black

**Vario gas cooktop 200 series**  
**28 cm, Liquidgas G30,31 28-30/37 mbar**  
**VG232120F**

Can be combined with the cooktops of the Vario 200 series to a harmonic unity

Control panel for comfortable and secure operation

Mechanical power level regulation for 9 power levels, with exact setting and reproduction of flame size

Solid smooth-surface cast pan supports for easy and safe positioning of cookware

**Cooking zones**

1 high output burner (560 W - 3000 W), suitable for pots up to max.  $\varnothing$  22 cm.

1 standard burner (380 W - 1900 W), suitable for pots up to max.  $\varnothing$  20 cm.

**Handling**

Control knobs with illuminated ring.

Integrated control panel.

One-handed operation.

Electric ignition.

**Features**

Cast pan support with continuous pot surface.

Enamelled burner cover.

**Safety**

Thermoelectric safety pilot.

Residual heat indication.

Operation indicator.

**Planning notes**

Special nozzles for natural gas 20 mbar can be ordered as spare parts.

Appliance can be snapped into the worktop from above.

A minimum clearance of at least 150 mm from adjacent heat-sensitive furniture or contact surfaces must be observed or thermal insulation fitted.

With a total connected load of more than 11 kW local regulations concerning room ventilation, room size and combination of extraction or recirculation hoods must be observed.

The minimum distance between the cooktop surface and a cabinet above, out of combustible material, needs to be 65 cm.

The minimum distance to a ventilation above is shown at the planning hints for the individual ventilation product.

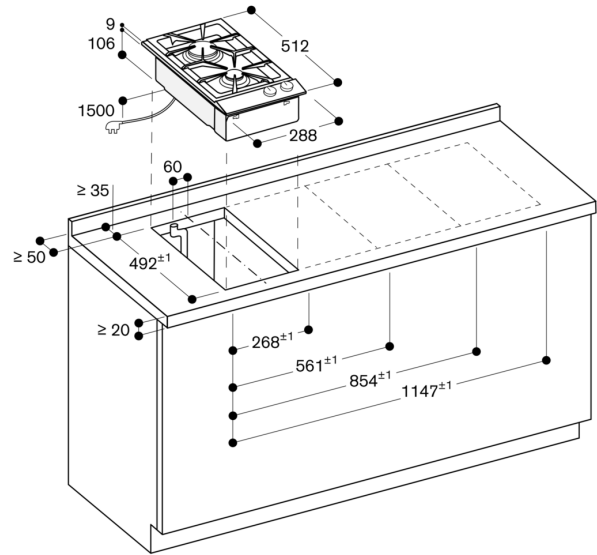
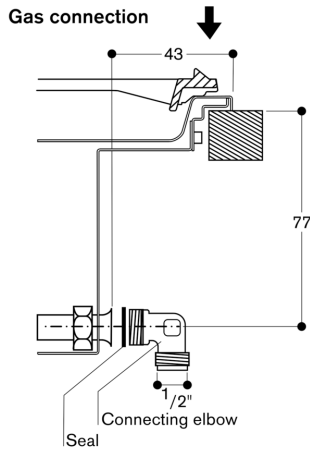
Appliance weight: approx. 9 kg.

**Connection**

Total connected load gas 4.9 KW.

Total connected load electric 10 W.

Connecting cable 1.5 m with plug.



Minimum distance from the appliance cut-out to the side wall 150 mm.  
 measurements in mm