



Color Variants

VG232214NL
Stainless steel control panel
Width 28 cm

Optional accessories

VD201014
Brushed stainless steel appliance cover
VV200014
Stainless steel connection strip
for combination with other Vario
appliances of the 200 series

Installation Accessories

VV200014
Stainless steel connection strip
for combination with other Vario
appliances of the 200 series

VG232214NL

Vario gas cooktop 200 series

Stainless steel control panel

Width 28 cm

Natural gas 25 mbar

Can be combined with the cooktops
of the Vario 200 series to a harmonic
unity

Generous control panel for
comfortable and secure operation
Solid smooth-surface cast pan
supports for easy and safe
positioning of cookware

Cooking zones

1 high output burner (560 – 2800 W),
suitable for pots up to max. ø 22 cm.
1 standard output burner (380 – 1900
W), suitable for pots up to max. ø 22
cm.

Handling

One-handed operation.
Electric ignition.

Features

Cast pan support with continuous pot
surface.
Enamelled burner cover.

Safety

Thermoelectric safety pilot.

Planning notes

Maximum drawer depth 42 cm.
Appliance can be snapped into the
worktop from above.
A minimum clearance of at least 150
mm from adjacent heat-sensitive
furniture or contact surfaces must be
observed or thermal insulation fitted.
With a total connected load of
more than 11 kW local regulations
concerning room ventilation, room
size and combination of extraction or
recirculation hoods must be observed.
Minimum clearance between gas
cooktop(s) with more than 11 kW and
ventilation hood 70 cm.
Special nozzles (order 1 of each): Part
No. 433603 Natural gas 20 mbar Part
No. 419831 Bottled gas 28-37 mbar Part
No. 419830 Bottled gas 50 mbar

Connection

Total connected load gas 4.7 kW.
Total connected load electric 1.0 W.
Connecting cable 1.4 m with plug.

Characteristics

Product name/family

Vario/Domino gas hob w control

Built-in / Free-standing

CONSTR_TYPE.Built-in

Energy input

Gas

Total number of positions that can be
used at the same time

2

Required niche size for installation
(HxWxD)

55 x 268 x 490

Width of the product (mm)

288

Dimensions of the product (mm)

55 x 288 x 523

Dimensions of the packed product
(HxWxD) (mm)

180 x 407 x 605

Net weight (kg)

7.724

Gross weight (kg)

9.0

Residual heat indicator

without

Location of control panel

Hob front

Basic surface material

brushed stainless steel

Color of surface

Stainless steel

Color of frame

Stainless steel

Approval certificates

CE, VDE

Length electrical supply cord (cm)

140

Consumption and connection features

Electrical connection rating (W)

1

Gas connection rating (W)

4700

Current (A)

10

Voltage (V)

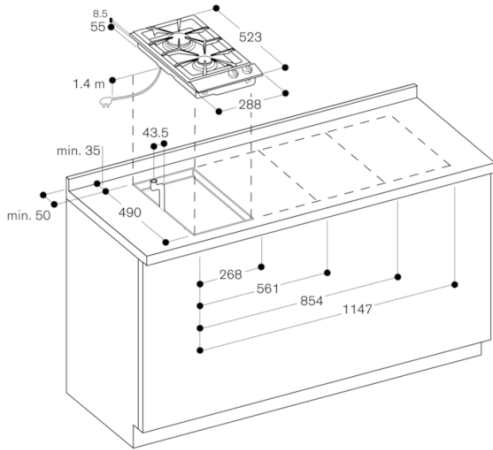
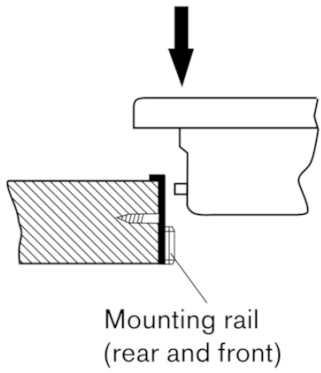
220-240

Frequency (Hz)

60; 50

2019-04-02

Page 1



~~Instalação do sistema de gás~~
~~Instalação do sistema de gás~~
Instalação do sistema de gás

