

VG232320HK

Optional accessories

VD200020:

Black cover series 200

Installation accessories

VV200010:

Connecting strip series 200 ss

VV200020:

Connecting strip series 200 black

Vario gas cooktop 200 series 28 cm, Town gas 10 mbar

VG232320HK

Can be combined with the cooktops of the Vario 200 series to a harmonic unity

Control panel for comfortable and secure operation

Mechanical power level regulation for 9 power levels, with exact setting and reproduction of flame size

Solid smooth-surface cast pan supports for easy and safe positioning of cookware

Cooking zones

1 high output burner (560 W - 3300 W), suitable for pots up to max. \varnothing 22 cm.

1 standard burner (380 W - 2200 W), suitable for pots up to max. \varnothing 20 cm.

Handling

Control knobs with illuminated ring.

Integrated control panel.

One-handed operation.

Electric ignition.

Features

Cast pan support with continuous pot surface.

Enamelled burner cover.

Safety

Thermoelectric safety pilot.

Residual heat indication.

Operation indicator.

Planning notes

Appliance can be snapped into the worktop from above.

A minimum clearance of at least 150 mm from adjacent heat-sensitive furniture or contact surfaces must be observed or thermal insulation fitted.

With a total connected load of more than 11 kW local regulations concerning room ventilation, room size and combination of extraction or recirculation hoods must be observed.

The minimum distance between the cooktop surface and a cabinet above, out of combustible material, needs to be 65 cm.

The minimum distance to a ventilation above is shown at the planning hints for the individual ventilation product.

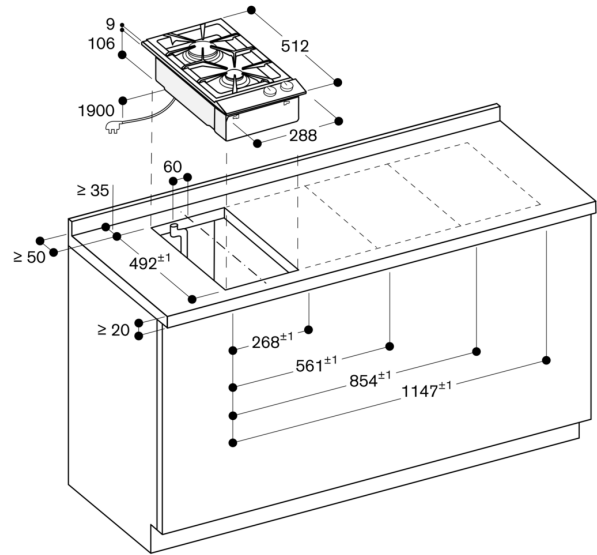
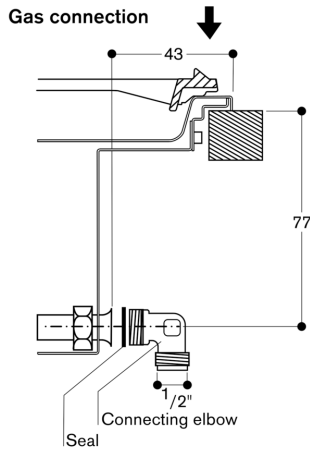
Appliance weight: approx. 8 kg.

Connection

Total connected load gas 5.5 KW.

Total connected load electric 10 W.

Connecting cable 1.9 m with plug.



Minimum distance from the appliance cut-out to the side wall 150 mm.
 measurements in mm