



**VG264114F**  
**Vario gas cooktop 200 series**  
**Stainless steel control panel**  
**Width 60 cm**  
**Liquid gas 28 - 37 mbar**

Can be combined with the cooktops of the Vario 200 series to a harmonic unity

Generous control panel for comfortable and secure operation  
Solid smooth-surface cast pan supports for easy and safe positioning of cookware  
Up to 9.4 kW on 4 burners

#### Cooking zones

2 high output burners (560 – 2800 W), suitable for pots up to max. ø 22 cm.  
2 standard burners (380 – 1900 W), suitable for pots up to max. ø 22 cm.

#### Handling

Control knobs with cooking zone and output level markings.  
One-handed operation.  
Electric ignition.

#### Features

Two-part cast iron pan support with continuous pot surface.  
Enamelled burner cover.

#### Safety

Thermoelectric safety pilot.

#### Planning notes

Special nozzles can be ordered as spare parts.  
Air intake from above.  
No intermediate shelf required.  
Appliance can be snapped into the worktop from above.  
Securing rail on the rear and the front.  
A minimum lateral clearance of at least 150 mm from adjacent heat-sensitive furniture or contact surfaces must be observed or thermal insulation fitted.  
With a total connected load of more than 11 kW local regulations concerning room ventilation, room size and combination of extraction or recirculation hoods must be observed.  
Minimum clearance between gas cooktop(s) with more than 11 kW and ventilation hood 70 cm.  
Special nozzles (order 2 of each):  
Part No. 433603 Natural gas 20 mbar  
Part No. 419831 Liquid gas 30 mbar  
Part No. 419830 Liquid gas 50 mbar

#### Connection

Total connected load gas 9.4 kW.  
Total connected load electric 1.0 W.  
Connecting cable 1.4 m with plug.

#### Characteristics

**Product name/family**  
gas hob w integrated controls

**Built-in / Free-standing**  
CONSTR\_TYPE.Built-in

**Energy input**  
Gas

**Total number of positions that can be used at the same time**  
4

**Required niche size for installation (HxWxD)**  
55 x 560 x 490

**Width of the product (mm)**  
580

**Dimensions of the product (mm)**  
55 x 580 x 523

**Dimensions of the packed product (HxWxD) (mm)**  
260 x 610 x 780

**Net weight (kg)**  
12.847

**Gross weight (kg)**  
15.5

**Residual heat indicator**  
without

**Location of control panel**  
Hob front

**Basic surface material**  
brushed stainless steel

**Color of surface**  
Stainless steel

**Color of frame**  
Stainless steel

**Approval certificates**  
CE, Eurasian, G-Mark, VDE

**Length electrical supply cord (cm)**  
140

#### Consumption and connection features

**Electrical connection rating (W)**  
1

**Gas connection rating (W)**  
9400

**Current (A)**  
10

**Voltage (V)**  
220-240

**Frequency (Hz)**  
50; 60

2019-10-29  
Page 1

#### Color Variants

VG264114F  
Stainless steel control panel  
Width 60 cm

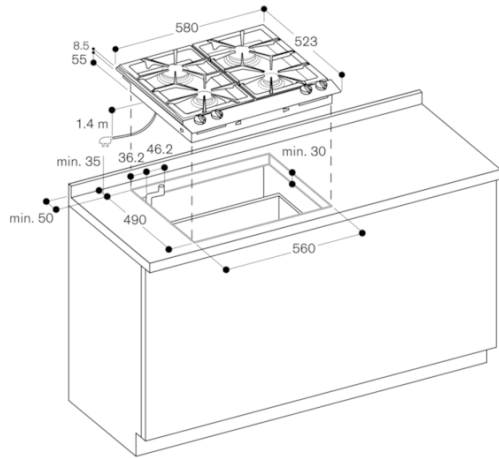
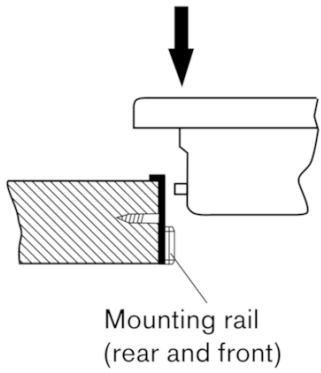
#### Optional accessories

VD201014  
Brushed stainless steel appliance cover

#### Installation Accessories

SH260000  
Hinge holder for fitting the appliance cover

VV200014  
Stainless steel connection strip for combination with other Vario appliances of the 200 series



### Gas connection

