



VG264214
Vario gas cooktop 200 series
Stainless steel control panel
Width 60 cm
Natural gas 20 mbar

Can be combined with the cooktops of the Vario 200 series to a harmonic unity
Generous control panel for comfortable and secure operation
Solid smooth-surface cast pan supports for easy and safe positioning of cookware
Up to 9.4 kW on 4 burners

Cooking zones
 2 high output burners (560 – 2800 W), suitable for pots up to max. ø 22 cm.
 2 standard burners (380 – 1900 W), suitable for pots up to max. ø 22 cm.

Handling
 Control knobs with cooking zone and output level markings.
 One-handed operation.
 Electric ignition.

Features
 Two-part cast iron pan support with continuous pot surface.
 Enamelled burner cover.

Safety
 Thermoelectric safety pilot.

Planning notes
 Special nozzles can be ordered as spare parts.
 Air intake from above.
 No intermediate shelf required.
 Appliance can be snapped into the worktop from above.
 Securing rail on the rear and the front.
 A minimum lateral clearance of at least 150 mm from adjacent heat-sensitive furniture or contact surfaces must be observed or thermal insulation fitted.
 With a total connected load of more than 11 kW local regulations concerning room ventilation, room size and combination of extraction or recirculation hoods must be observed.
 Minimum clearance between gas cooktop(s) with more than 11 kW and ventilation hood 70 cm.
 Special nozzles (order 2 of each):
 Part No. 433603 Natural gas 20 mbar
 Part No. 419831 Liquid gas 30 mbar
 Part No. 419830 Liquid gas 50 mbar
 Appliance weight: approx. 13 kg.

Connection
 Total connected load gas 9.4 kW.
 Total connected load electric 1.0 W.
 Connecting cable 1.4 m with plug.

Characteristics
Product name/family
 gas hob w integrated controls
Built-in / Free-standing
 CONSTR_TYPE.Built-in
Energy input
 Gas
Total number of positions that can be used at the same time
 4
Required niche size for installation (HxWxD)
 55 x 560 x 490
Width of the product (mm)
 580
Dimensions of the product (mm)
 55 x 580 x 523
Dimensions of the packed product (HxWxD) (mm)
 260 x 610 x 780
Net weight (kg)
 12.907
Gross weight (kg)
 15.6
Residual heat indicator
 without
Location of control panel
 Hob front
Basic surface material
 brushed stainless steel
Color of surface
 Stainless steel
Color of frame
 Stainless steel
Approval certificates
 CE, Eurasian, Ukraine, VDE
Length electrical supply cord (cm)
 140

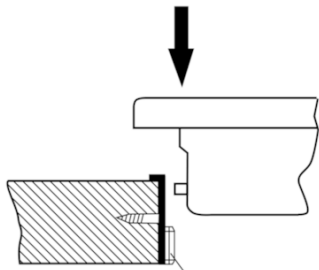
Consumption and connection features
Electrical connection rating (W)
 1
Gas connection rating (W)
 9400
Current (A)
 10
Voltage (V)
 220-240
Frequency (Hz)
 60; 50

2019-10-29
Page 1

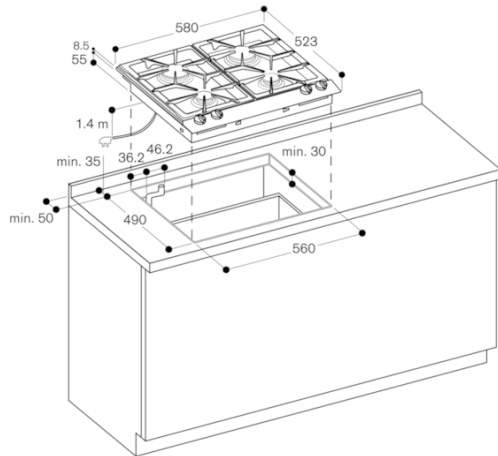
Color Variants
VG264214
Stainless steel control panel
Width 60 cm

Optional accessories
VD201014
Brushed stainless steel appliance cover

Installation Accessories
SH260000
Hinge holder for fitting the appliance cover
VV200014
Stainless steel connection strip for combination with other Vario appliances of the 200 series



Mounting rail
(rear and front)



Gas connection

