



VG264214NL
Vario gas cooktop 200 series
Stainless steel control panel
Width 60 cm
Natural gas 25 mbar

Can be combined with the cooktops of the Vario 200 series to a harmonic unity

Generous control panel for comfortable and secure operation
Solid smooth-surface cast pan supports for easy and safe positioning of cookware
9.4 KW on 4 burners

Cooking zones

2 high output burners (560 – 2800 W), suitable for pots up to max. ø 22 cm.
2 standard burners (380 – 1900 W), suitable for pots up to max. ø 22 cm.

Handling

Control knobs with cooking zone and output level markings.
One-handed operation.
Electric ignition.

Features

Two-part cast pan support with continuous pot surface.
Enamelled burner cover.

Safety

Thermoelectric safety pilot.

Planning notes

Special nozzles can be ordered as spare parts.
Air intake from above.
No intermediate shelf required.
Appliance can be snapped into the worktop from above.
Securing rail on the rear and the front.
A minimum lateral clearance of at least 150 mm from adjacent heat-sensitive furniture or contact surfaces must be observed or thermal insulation fitted.
With a total connected load of more than 11 kW local regulations concerning room ventilation, room size and combination of extraction or recirculation hoods must be observed.
Minimum clearance between gas cooktop(s) with more than 11 kW and ventilation hood 70 cm.
Special nozzles (order 2 of each):
Part No. 433603 Natural gas 20 mbar
Part No. 419831 Liquid gas 30 mbar
Part No. 419830 Liquid gas 50 mbar

Connection

Total connected load gas 9.4 kW.
Total connected load electric 1.0 W.
Connecting cable 1.4 m with plug.

Characteristics

Product name/family
gas hob w integrated controls

Built-in / Free-standing
CONSTR_TYPE.Built-in

Energy input
Gas

Total number of positions that can be used at the same time
4

Required niche size for installation (HxWxD)
55 x 560 x 490

Width of the product (mm)
580

Dimensions of the product (mm)
55 x 580 x 523

Dimensions of the packed product (HxWxD) (mm)
150 x 600 x 690

Net weight (kg)
12.443

Gross weight (kg)
15.0

Residual heat indicator
without

Location of control panel
Hob front

Basic surface material
brushed stainless steel

Color of surface
Stainless steel

Color of frame
Stainless steel

Approval certificates
CE, VDE

Length electrical supply cord (cm)
140

Consumption and connection features

Electrical connection rating (W)
1

Gas connection rating (W)
9400

Current (A)
10

Voltage (V)
220-240

Frequency (Hz)
50; 60

2019-04-02
Page 1

Color Variants

VG264214NL
Stainless steel control panel
Width 60 cm

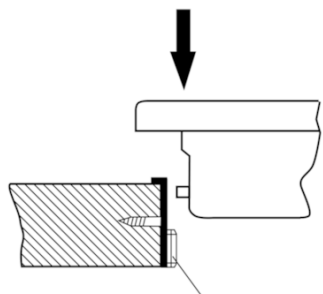
Optional accessories

VD201014
Brushed stainless steel appliance cover

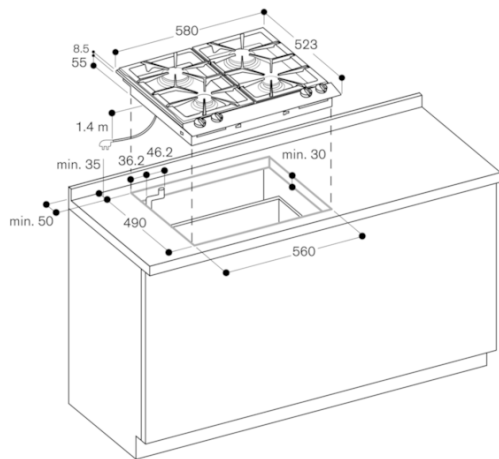
Installation Accessories

SH260000
Hinge holder for fitting the appliance cover

VV200014
Stainless steel connection strip for combination with other Vario appliances of the 200 series



Mounting rail
(rear and front)



Gas connection

