



VG295114F
Gas cooktop 200 series
Stainless steel with stainless steel control panel
Width 90 cm
Liquid gas 28 - 37 mbar
Wok burner with up to 5 KW

Up to 17 kW on 5 burners
Solid smooth-surface cast iron pan supports
Automatic fast ignition, electronic flame monitoring

Cooking zones

1 three-ring wok burner (300 W – 5000 W), suitable for pots up to max. ø 32 cm.
2 two-ring high output burners (165 W – 4000 W), suitable for pots up to max. ø 28 cm.
2 two-ring standard burners (165 W – 2000 W), suitable for pots up to max. ø 24 cm.

Handling

Integrated control panel with cooking zone and output level markings.
One-handed operation.
Automatic fast ignition.

Features

Three-part cast iron pan support with flat, continuous pot surface.
Brass burner rings.

Safety

Electronic flame monitoring with automatic re-ignition.
Safety shut-off.

Planning notes

Special nozzles can be ordered as spare parts.
Plan for an electrical connection (the appliance is not operable without power supply).
Air intake from above.
No intermediate shelf required.
Rear panel and wall trims must be heat-resistant and consist of a non-flammable material.
Installation in a 90 cm wide lower cabinet is required.
An oven can be installed under the cooktop.
Appliance must be fixed from underneath.
A minimum lateral clearance of at least 300 mm from adjacent heat-sensitive furniture or contact surfaces must be observed or thermal insulation fitted.
Cooktop clamping range: 30 - 50 mm.
With a total connected load of more than 11 kW local regulations concerning room ventilation, room size and combination of extraction or recirculation hoods must be observed.
Minimum clearance between gas cooktop(s) with more than 11 kW and ventilation hood 70 cm.
Appliance weight: approx. 30 kg.

Connection

Total connected load gas 17.0 kW.
Connecting cable 1.4 m with plug.

Characteristics

Product name/family	gas hob w integrated controls
Built-in / Free-standing	CONSTR_TYPE.Built-in
Energy input	Gas
Total number of positions that can be used at the same time	5
Required niche size for installation (HxWxD)	132 x 885 x 490
Width of the product (mm)	914
Dimensions of the product (mm)	132 x 914 x 510
Dimensions of the packed product (HxWxD) (mm)	290 x 680 x 1000
Net weight (kg)	29.740
Gross weight (kg)	33.0
Residual heat indicator	without
Location of control panel	Hob front
Basic surface material	brushed stainless steel
Color of surface	Stainless steel
Color of frame	Stainless steel
Approval certificates	CE, Eurasian, G-Mark, VDE
Length electrical supply cord (cm)	140

Consumption and connection features

Electrical connection rating (W)	25
Gas connection rating (W)	17000
Current (A)	10
Voltage (V)	220-240
Frequency (Hz)	50; 60

2019-10-23
Page 1

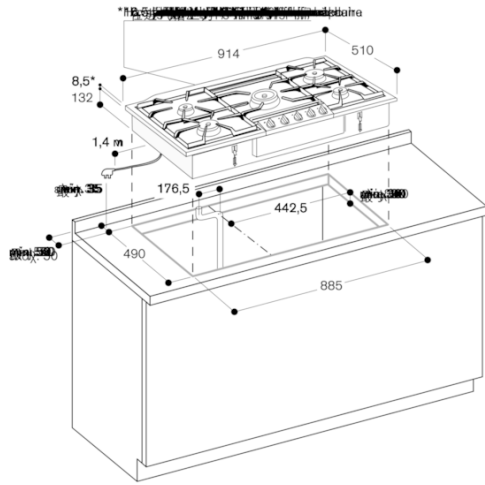
Color Variants

VG295114F
Stainless steel with stainless steel control panel
Width 90 cm

Optional accessories

WP400001
Wok pan made of multiple-layer material

VG295114F
Gas cooktop 200 series
Stainless steel with stainless steel
control panel
Width 90 cm
Liquid gas 28 - 37 mbar
Wok burner with up to 5 KW
2019-10-23
Page 2



Gas connection

