



**VG295214**  
**Gas cooktop 200 series**  
**Stainless steel with stainless steel control panel**  
**Width 90 cm**  
**Natural gas 20 mbar**  
**Wok burner with up to 6 KW**

**Up to 18 kW on 5 burners**  
**Solid smooth-surface cast iron pan supports**  
**Automatic fast ignition, electronic flame monitoring**

#### Cooking zones

1 three-ring wok burner (300 W – 6000 W), suitable for pots up to max. ø 32 cm.  
2 two-ring high output burners (165 W – 4000 W), suitable for pots up to max. ø 28 cm.  
2 two-ring standard burners (165 W – 2000 W), suitable for pots up to max. ø 24 cm.

#### Handling

Integrated control panel with cooking zone and output level markings.  
One-handed operation.  
Gas valve with fine control.

#### Features

Three-part cast iron pan support with flat, continuous pot surface.  
Brass burner rings.

#### Safety

Electronic flame monitoring with automatic re-ignition.  
Automatic fast ignition.

#### Planning notes

Special nozzles can be ordered as spare parts.  
Plan for an electrical connection (the appliance is not operable without power supply).  
Panel thickness 16 - 26 mm.  
Air intake from above.  
No intermediate shelf required.  
Rear panel and wall trims must be heat-resistant and consist of a non-flammable material.  
Installation in a 90 cm wide lower cabinet is required.  
An oven can be installed under the cooktop.  
Appliance must be fixed from underneath.  
A minimum lateral clearance of at least 300 mm from adjacent heat-sensitive furniture or contact surfaces must be observed or thermal insulation fitted.  
Cooktop clamping range: 30 - 50 mm.  
With a total connected load of more than 11 kW local regulations concerning room ventilation, room size and combination of extraction or recirculation hoods must be observed.  
Minimum clearance between gas cooktop(s) with more than 11 kW and ventilation hood 70 cm.  
Appliance weight: approx. 28 kg.

#### Connection

Total connected load gas 18.0 kW.  
Connecting cable 1.4 m with plug.

#### Characteristics

**Product name/family**  
gas hob w integrated controls  
**Built-in / Free-standing**  
CONSTR\_TYPE.Built-in  
**Energy input**  
Gas  
**Total number of positions that can be used at the same time**  
5  
**Required niche size for installation (HxWxD)**  
132 x 885 x 490  
**Width of the product (mm)**  
914  
**Dimensions of the product (mm)**  
132 x 914 x 510  
**Dimensions of the packed product (HxWxD) (mm)**  
290 x 670 x 990  
**Net weight (kg)**  
28.140  
**Gross weight (kg)**  
31.0  
**Residual heat indicator**  
without  
**Location of control panel**  
Hob front  
**Basic surface material**  
brushed stainless steel  
**Color of surface**  
Stainless steel  
**Color of frame**  
Stainless steel  
**Approval certificates**  
CE, Eurasian, Ukraine, VDE  
**Length electrical supply cord (cm)**  
140

#### Consumption and connection features

**Electrical connection rating (W)**  
25  
**Gas connection rating (W)**  
18000  
**Current (A)**  
10  
**Voltage (V)**  
220-240  
**Frequency (Hz)**  
60; 50

2019-10-23  
Page 1

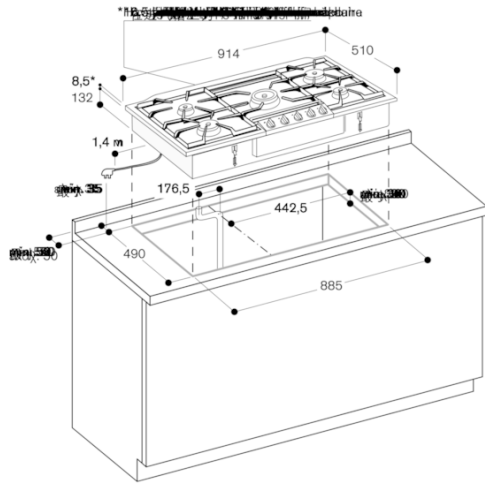
#### Color Variants

**VG295214**  
**Stainless steel with stainless steel control panel**  
**Width 90 cm**

#### Optional accessories

**WP400001**  
**Wok pan made of multiple-layer material**

VG295214  
Gas cooktop 200 series  
Stainless steel with stainless steel  
control panel  
Width 90 cm  
Natural gas 20 mbar  
Wok burner with up to 6 KW  
2019-10-23  
Page 2



### Gas connection

