



#### Color Variants

VI414111

Stainless steel frame

Width 38 cm

#### Optional accessories

GP900004

Stainless steel frying sensor pan

WP400001

Wok pan made of multiple-layer

material

WZ400001

Wok attachment for wok pan

#### Installation Accessories

VA420000

Connection strip for combination with other Vario appliances of the 400 series for flush mounting

VA420010

Connection strip for combination with other Vario appliances of the 400 series for surface mounting

VI414111

Vario induction wok 400 series

Stainless steel frame

Width 38 cm

32 cm cooking zone with booster function

Ideal for the original wok pan with round bottom, with wok ring

Frying sensor function for temperature control in pans

Easy control of all functions with bicoloured display

Solid stainless steel control knob

Precision crafted 3 mm stainless steel

For surface mounting with a visible edge or for flush mounting

Can be combined perfectly with other Vario appliances of the 400 series

#### Cooking zones

1 induction cooking zone  $\varnothing$  21 cm (2200 W, with booster 3700 W), automatically switches to  $\varnothing$  26 cm (2600 W, with booster 3700 W) and to  $\varnothing$  32 cm (3300 W, with booster 3700 W).

#### Handling

Control knobs with illuminated ring, cooking zone and output level markings.

Electronic power control in 12 output levels.

User friendly control with bicoloured display (white / orange).

#### Features

Frying sensor function.

Booster function.

Stopwatch.

Short-term timer.

Options menu.

#### Safety

Residual heat indication.

Safety shut-off.

#### Planning notes

Depending on the type of installation (surface-mounted or flush-mounted), the specific location of the cut-out and the knob positions may vary.

The drawing "Installation of the control knob" must be observed if the panel is more than 23 mm thick (there must be a recess at the rear).

If combining several Vario appliances of the 400 series, a connection strip VA 420 must be placed between the appliances. Depending on the type of installation, the corresponding connection strip must be provided. The bearing capacity and stability, in the case of thin worktops in particular, must be supported using suitable substructures. Take into account the appliance weight and additional loads. Additional instructions for flush mounting:

Installation is possible in worktops made of stone, synthetics or solid wood. Heat resistance and watertight sealing of the cut edges must be observed. Concerning other materials please consult the worktop manufacturer.

The groove must be continuous and even, so that uniform placing of the appliance on the gasket is ensured. Do not use discontinuous lining.

The joint width may vary due to size tolerances of the combinations and of the worktop cut-out.

If installing several appliances in individual cut-outs allow for a division bar of minimum 50 mm between the individual cut-outs.

#### Characteristics

Product name/family

Vario/Domino cooking zone cera

Built-in / Free-standing

Built-in

Energy input

Electric

Total number of positions that can be used at the same time

1

Required niche size for installation (HxWxD)

57 x 360 x 490-500

Width of the appliance

380

Dimensions

57 x 380 x 520

Dimensions of the packed product (HxWxD) (mm)

120 x 580 x 600

Net weight (kg)

10.098

Gross weight (kg)

11.1

Residual heat indicator

Location of control panel

External control

Basic surface material

Ceramic

Color of surface

Black, Stainless steel

Color of frame

Stainless steel

Approval certificates

AENOR, CE

Length electrical supply cord (cm)

150

Connection rating (W)

3700

Gas connection rating (W)

Current (A)

Voltage (V)

220-240

Frequency (Hz)

50; 60

#### Consumption and connection features

2021-02-24

Page 1

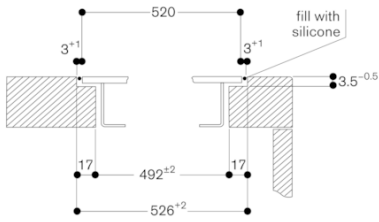
Operates with magnetic (induction) iron pots and pans only. For an optimal heat distribution, the use of sandwich bottom cookware is recommended. Appliance can be snapped into the worktop from above. Appliance weight: approx. 10 kg.

#### Connection

Total connected load 3.7 KW.

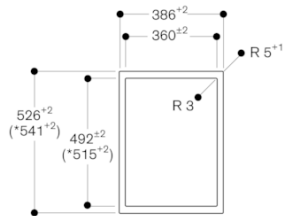
Connecting cable 1.5 m without plug.

Cross-section



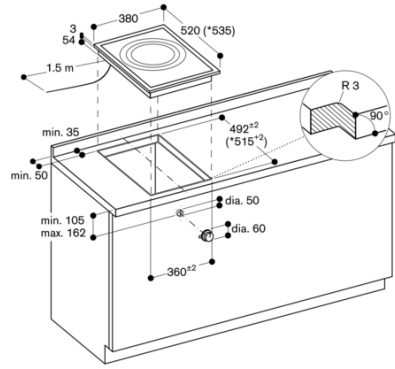
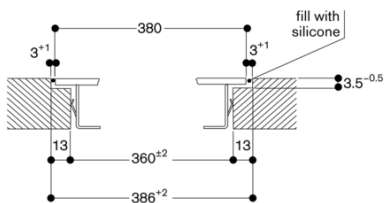
When installing with appliance cover or filler strip, pay attention to the deeper cut-out and the front and rear groove width.

View from above

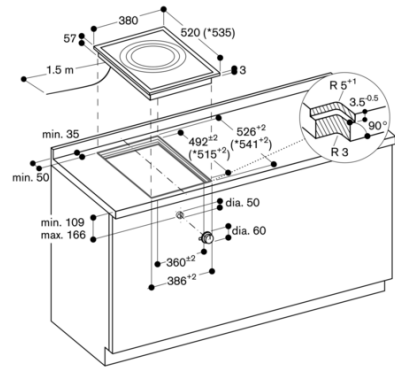


\* with appliance cover or filler strip (observe the front and rear asymmetrical support, see separate notes "Installation with appliance cover/filler strip").

Longitudinal section

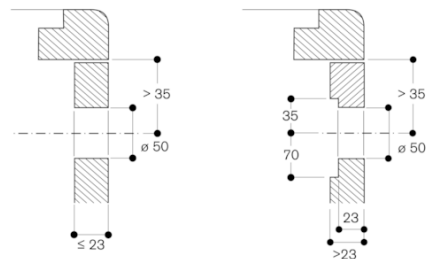


\* with filler strip  
 See separate planning notes.



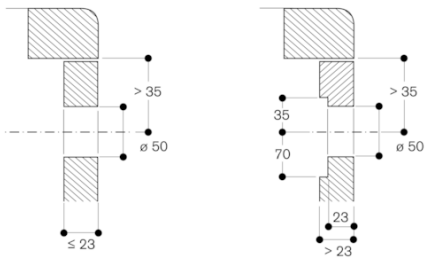
\* with filler strip  
 See separate planning notes.

Installation of the control knob; flush installation



measurements in mm

Installation of the control knob; surface mounting



measurements in mm