



**VI422103**  
**Flex induction cooktop 400 series**  
**Frameless**  
**Width 38 cm**

Flex function for combining the rectangular cooking areas  
 Free positioning of cookware inside combined cooking areas  
 Frying sensor function for temperature control in pans  
 Easy control of all functions with bicoloured display  
 Solid stainless steel control knob  
 Frameless for flush mounting  
 For combination within the sets CVL 410 / 420

**Cooking zones**  
 2 flex induction cooking areas 24x20 cm (2200 W, with booster 3700 W), linked together 24x40 cm (3300 W, with booster 3700 W).

**Handling**  
 Control knobs with illuminated ring, cooking zone and output level markings.  
 Electronic power control in 12 output levels.  
 User friendly control with bicoloured display (white / orange).

**Features**  
 Flex function for rectangular cooking areas.  
 Frying sensor function.  
 Booster function.  
 Stopwatch.  
 Short-term timer.  
 Options menu.  
 Power management.  
 Cooktop-based ventilation control (with suitable hood).  
 Home network integration for digital services (Home Connect) wireless via WiFi.  
 The use of the Home Connect functionality depends on the Home Connect services, which are not available in every country. For further information please check: [home-connect.com](http://home-connect.com).

**Safety**  
 Operation indicator.  
 Pot detection.  
 2-stage residual heat indication.  
 Safety shut-off.

**Planning notes**  
 The horizontal positioning of the knobs may be aligned with the specific cooking areas.  
 The drawing "Installation of the control knob" must be observed if the panel is more than 23 mm thick (there must be a recess at the rear).  
 The bearing capacity and stability, in the case of thinner worktops in particular, must be supported using suitable substructures. Take into account the appliance weight and additional loads.  
 Installation is possible in worktops made of stone, synthetics or solid wood. Heat resistance and watertight sealing of the cut edges must be observed. Concerning other materials please consult the worktop manufacturer.  
 The groove must be continuous and even, so that uniform placing of the appliance on the gasket is ensured. Do not use discontinuous lining.  
 The joint width may vary due to size tolerances of the combinations and of the worktop cut-out.

**Characteristics**  
**Product name/family**  
 Vario/Domino cooking zone cera  
**Built-in / Free-standing**  
 Built-in  
**Energy input**  
 Electric  
**Total number of positions that can be used at the same time**  
 2  
**Required niche size for installation (HxWxD)**  
 57 x 360-389 x 492-527  
**Width of the appliance**  
 384  
**Dimensions**  
 57 x 384 x 521  
**Dimensions of the packed product (HxWxD)**  
 120 x 580 x 600  
**Net weight**  
 9.4  
**Gross weight**  
 10.4  
**Residual heat indicator**  
 Separate  
**Location of control panel**  
 External control  
**Basic surface material**  
 Ceramic  
**Color of surface**  
 Black  
**Color of frame**  
**Approval certificates**  
 AENOR, CE  
**Length electrical supply cord**  
 150  
**Connection rating**  
 3700  
**Gas connection rating**  
**Fuse protection**  
 16  
**Voltage**  
 220-240  
**Frequency**  
 50; 60

**Consumption and connection features**  
**2022-02-18**  
**Page 1**

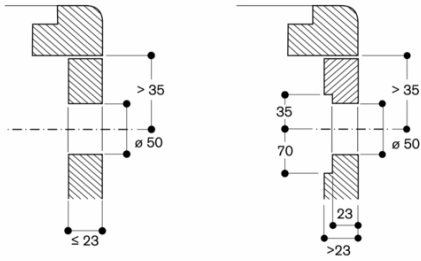
If installing several appliances in individual cut-outs allow for a division bar of minimum 50 mm between the individual cut-outs.  
 Operates with magnetic (induction) iron pots and pans only. For an optimal heat distribution, the use of sandwich bottom cookware is recommended.  
 Appliance can be snapped into the worktop from above.  
 Appliance weight: approx. 9 kg.

**Connection**  
 Total connected load 3.7 KW.  
 Connecting cable 1.5 m without plug.  
 Power consumption standby/display off 0.5 W.  
 Power consumption standby/network 1.4 W.  
 Please check the user manual for how to switch off the WiFi module.

**Color Variants**  
**VI422103**  
**Frameless**  
**Width 38 cm**

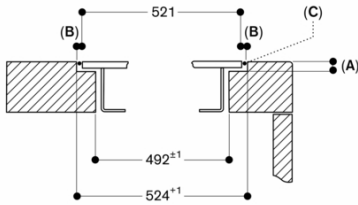
**Optional accessories**  
**CA051300**  
**Teppan Yaki plate made of multi ply material**  
**CA052300**  
**Griddle plate in cast aluminium**  
**GP900001**  
**Stainless steel frying sensor pan**  
**GP900002**  
**Stainless steel frying sensor pan**  
**GP900003**  
**Stainless steel frying sensor pan**

Installation of the control knob; flush installation



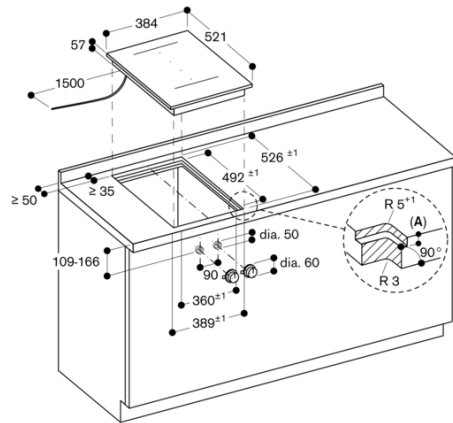
measurements in mm

Cross-section



A: 6.5<sup>+0.5</sup>  
 B: 1.5  
 C: Fill with silicone

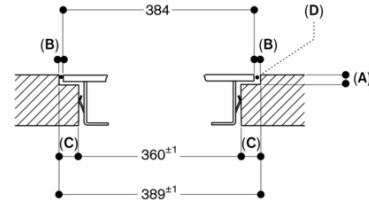
measurements in mm



A: 6.5<sup>+0.5</sup>

measurements in mm

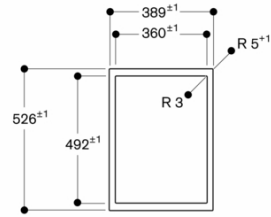
Longitudinal section



A: 6.5<sup>+0.5</sup>  
 B: 2.5  
 C: 14.5  
 D: Fill with silicone

measurements in mm

View from above



measurements in mm