



**VI422111**  
**Vario flex induction cooktop 400 series**  
**Stainless steel frame**  
**Width 38 cm**

Flex function for combining the rectangular cooking areas  
 Free positioning of cookware inside combined cooking areas  
 Frying sensor function for temperature control in pans  
 Easy control of all functions with bicoloured display  
 Solid stainless steel control knob  
 Precision crafted 3 mm stainless steel  
 For surface mounting with a visible edge or for flush mounting  
 Can be combined perfectly with other Vario appliances of the 400 series

**Cooking zones**  
 2 flex induction cooking areas 19x24 cm (2200 W, with booster 3700 W), linked together 38x24 cm (3300 W, with booster 3700 W).

**Handling**  
 Control knobs with illuminated ring, cooking zone and output level markings.  
 Electronic power control in 12 output levels.  
 User friendly control with bicoloured display (white / orange).

**Features**  
 Flex function for rectangular cooking areas.  
 Frying sensor function.  
 Booster function.  
 Stopwatch.  
 Short-term timer.  
 Options menu.

**Safety**  
 Individual residual heat indicators.  
 Safety shut-off.

**Planning notes**  
 Depending on the type of installation (surface-mounted or flush-mounted), the specific location of the cut-out and the knob positions may vary.  
 The horizontal positioning of the knobs may be aligned with the specific cooking areas.  
 The drawing "Installation of the control knob" must be observed if the panel is more than 23 mm thick (there must be a recess at the rear).  
 If combining several Vario appliances of the 400 series, a connection strip VA 420 must be placed between the appliances. Depending on the type of installation, the corresponding connection strip must be provided.  
 The bearing capacity and stability, in the case of thin worktops in particular, must be supported using suitable substructures. Take into account the appliance weight and additional loads.  
 Additional instructions for flush mounting:  
 Installation is possible in worktops made of stone, synthetics or solid wood. Heat resistance and watertight sealing of the cut edges must be observed. Concerning other materials please consult the worktop manufacturer.  
 The groove must be continuous and even, so that uniform placing of the appliance on the gasket is ensured. Do not use discontinuous lining.  
 The joint width may vary due to size tolerances of the combinations and of the worktop cut-out.

**Characteristics**  
**Product name/family**  
 Vario/Domino cooking zone cera  
**Built-in / Free-standing**  
 Built-in  
**Energy input**  
 Electric  
**Total number of positions that can be used at the same time**  
 2  
**Required niche size for installation (HxWxD)**  
 57 x 360 x 490-500  
**Width of the appliance**  
 380  
**Dimensions**  
 57 x 380 x 520  
**Dimensions of the packed product (HxWxD) (mm)**  
 120 x 580 x 600  
**Net weight (kg)**  
 10.198  
**Gross weight (kg)**  
 11.2  
**Residual heat indicator**  
**Location of control panel**  
 External control  
**Basic surface material**  
 Ceramic  
**Color of surface**  
 Black, Stainless steel  
**Color of frame**  
 Stainless steel  
**Approval certificates**  
 AENOR, CE  
**Length electrical supply cord (cm)**  
 150  
**Connection rating (W)**  
 3700  
**Gas connection rating (W)**  
**Current (A)**  
**Voltage (V)**  
 220-240  
**Frequency (Hz)**  
 50; 60

**Consumption and connection features**  
 2021-02-25  
 Page 1

If installing several appliances in individual cut-outs allow for a division bar of minimum 50 mm between the individual cut-outs.  
 Operates with magnetic (induction) iron pots and pans only. For an optimal heat distribution, the use of sandwich bottom cookware is recommended.  
 Appliance can be snapped into the worktop from above.  
 Appliance weight: approx. 10 kg.

**Connection**  
 Total connected load 3.7 KW.  
 Connecting cable 1.5 m without plug.

**Color Variants**

VI422111  
 Stainless steel frame  
 Width 38 cm

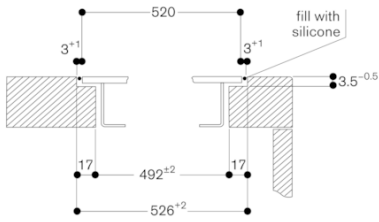
**Optional accessories**

GP900001  
 Stainless steel frying sensor pan  
 GP900002  
 Stainless steel frying sensor pan  
 GP900003  
 Stainless steel frying sensor pan

**Installation Accessories**

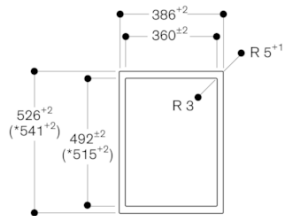
VA420000  
 Connection strip for combination with other Vario appliances of the 400 series for flush mounting  
 VA420010  
 Connection strip for combination with other Vario appliances of the 400 series for surface mounting

Cross-section



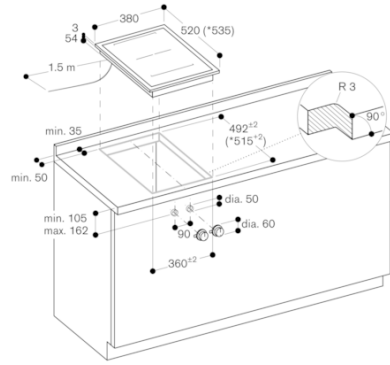
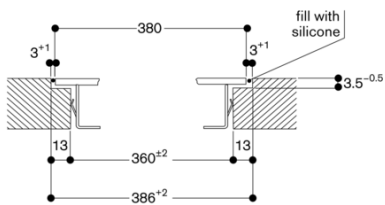
When installing with appliance cover or filler strip, pay attention to the deeper cut-out and the front and rear groove width.

View from above

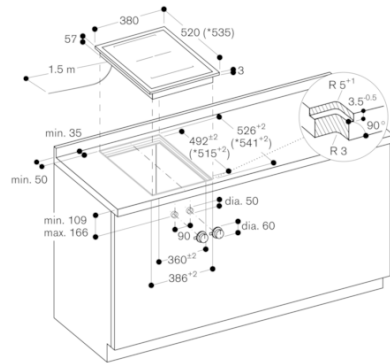


\* with appliance cover or filler strip (observe the front and rear asymmetrical support, see separate notes "Installation with appliance cover/filler strip").

Longitudinal section

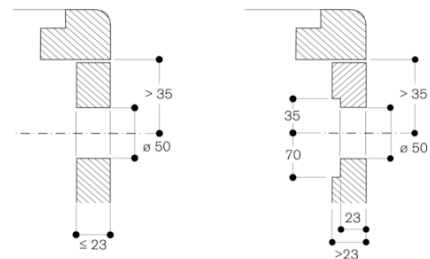


\* with filler strip  
 See separate planning notes.



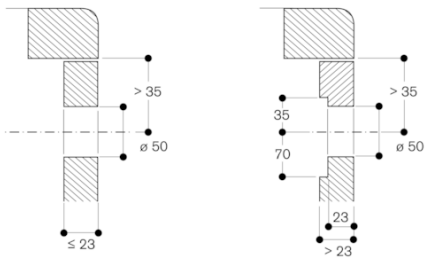
\* with filler strip  
 See separate planning notes.

Installation of the control knob; flush installation



measurements in mm

Installation of the control knob; surface mounting



measurements in mm