



VK414110
Vario steamer 400 series
Stainless steel
Width 38 cm

Steaming in cooktop size
Exact water temperature control from 45 °C to 95 °C
Cooking on two levels, without flavour transfer
Solid stainless steel control knob
Precision crafted 3 mm stainless steel
For surface mounting with a visible edge or for flush mounting
Can be combined perfectly with other Vario appliances of the 400 series

Cooking zones
 Water capacity 1 to 6 litres.

Handling
 Control knobs with illuminated ring, temperature markings and outlet water. Electronic water temperature control from 45 °C to 95 °C, in 5 °C steps.

Features
 Steam cooking level with electronic steam control for pressureless cooking. Automatic boiling point detection. Motor-driven 1/2" water drain valve.

Safety
 Safety shut-off.

Planning notes
 Depending on the type of installation (surface-mounted or flush-mounted, with or without an appliance cover), the specific location of the cut-out and the knob positions may vary. If installing with the appliance cover VA 440 or filler strip VA 450 take into account the additional space required for the depth. If combining several appliances with at least one appliance cover, the filler strip VA 450 is required to compensate for the depth of the appliance without the appliance cover. If combining several Vario appliances of the 400 series, a connection strip VA 420 must be placed between the appliances. Depending on the type of installation, the corresponding connection strip must be provided. In the cut-out, the installation system requires the side edge to be at least 10 mm for surface mounting and at least 13 mm for flush mounting. Ensure a continuous cut surface of 90°. The bearing capacity and stability, in the case of thin worktops in particular, must be supported using suitable substructures. Take into account the appliance weight and additional loads. Additional instructions for flush mounting: Installation is possible in worktops made of stone, synthetics or solid wood. Heat resistance and watertight sealing of the cut edges must be observed. Concerning other materials please consult the worktop manufacturer. The groove must be continuous and even, so that uniform placing of the appliance on the gasket is ensured. Do not use discontinuous lining. The joint width may vary due to size tolerances of the combinations and of the worktop cut-out. If installing several appliances in individual cut-outs allow for a division bar of minimum 50 mm between the individual cut-outs.

Characteristics
Product name/family
 Vario/Domino steam cooker
Built-in / Free-standing
 Built-in
Energy input
 Electric
Type of control
 Electronic
Type of control setting and signalling devices
 Cylindrical controls
Required niche size for installation (HxWxD)
 290 x 360 x 490
Width of the product (mm)
 380
Dimensions of the product (mm)
 290 x 380 x 520
Dimensions of the packed product (HxWxD) (mm)
 374 x 458 x 590
Net weight (kg)
 14.311
Gross weight (kg)
 16.8
Power on indicator
 Yes
Location of control panel
Type of regulation
 Stepless energy regulated
Basic surface material
 Stainless steel
Color of surface
 Stainless steel, Stainless steel
Color of frame
 Stainless steel
Approval certificates
 Australia Standards, CCC, CE, China, China ROHS 20, Eurasian, G-Mark, Ukraine, VDE
Length electrical supply cord (cm)

Consumption and connection features
Electrical connection rating (W)
 2000
Current (A)
 10
Voltage (V)
 220-240
Frequency (Hz)
 60; 50
 2019-10-29
 Page 1

Built-in control panel to be integrated in the bottom cabinet at drawer level. Panel thickness 16 - 26 mm. The drawing "Installation of the control knob" must be observed if the panel is more than 26 mm thick (there must be a recess at the rear). Seal the worktop cutout. VK 414 and VF 414 must not be installed directly next to each other. A minimum lateral clearance of at least 40 mm from adjacent heat-sensitive furniture. In case of suspended cabinets a ventilation hood must be installed above the steamer. If a cover is fitted, the glass lid must be removed when closing it. Appliance can be snapped into the worktop from above. Appliance weight: approx. 14 kg.

Connection
 Total connected load 2.0 kW. Plan a connection cable.

Color Variants

VK414110
Stainless steel
Width 38 cm

Included accessories

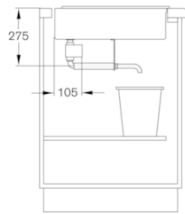
2 x cooking insert.
 1 x glass cover.
 1 x hand grip.
 1 x residuary filter.
 1 x water drain valve.

Optional accessories

FK023000
Pasta basket
GE020010
Unperforated cooking insert
GE020020
Perforated cooking insert

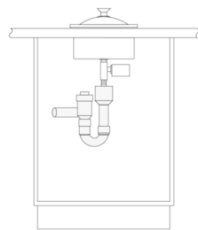
Installation Accessories

VA420000
Connection strip for combination with other Vario appliances of the 400 series for flush mounting
VA420001
Connection strip for combination with other Vario appliances of the 400 series for flush mounting with appliance cover/filler strip
VA420010
Connection strip for combination with other Vario appliances of the 400 series for surface mounting
VA420011
Connection strip for combination with other Vario appliances of the 400 series for surface mounting with appliance cover/filler strip
VA440010
Stainless steel appliance cover with mounting strip
VA450400
Stainless steel filler strip 38 cm

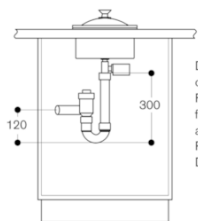


Drainage into a water-collecting receptacle (e.g. saucepan). Only possible with AG 060 000 drain installation set.

Keep bottom drain valve at the back accessible through the door in the base unit.

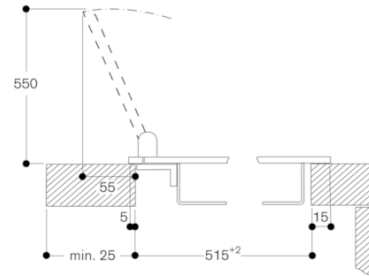


Sewer connection present in the base unit: If there is a fixed connection with a free fall section as per DIN 1986 Part 1, it is recommended that you install a non-return valve. Recommendation: AG 050 000 drain installation set.

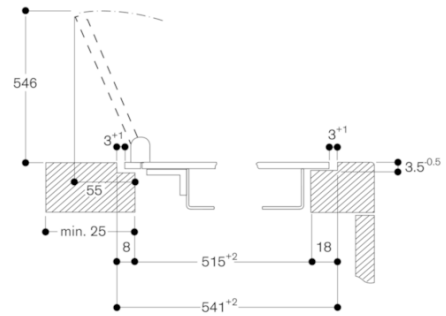


Drainage connection present in the bottom cupboard: For a fixed connection without free fall section as per DIN 1986 Part 1, a non-return valve must be installed. Recommendation: AG 050 000 Drain installation set.

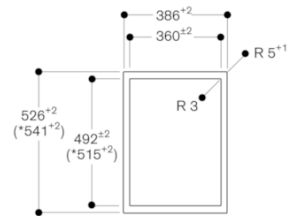
Installation with appliance cover/spacer batten; installation standing proud of surrounding surfaces



Installation with appliance cover/spacer batten; installation flush with surrounding surfaces

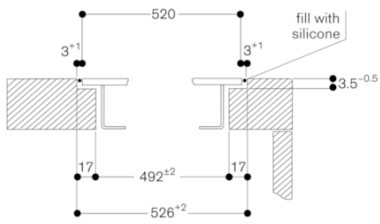


View from above



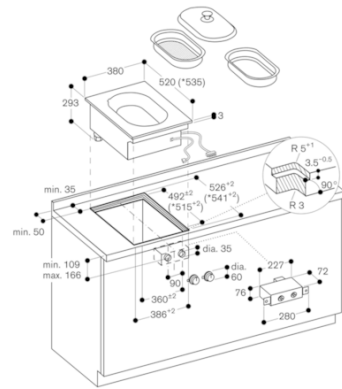
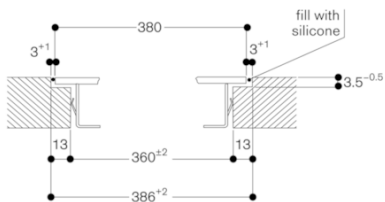
* with appliance cover or filler strip (observe the front and rear asymmetrical support, see separate notes "Installation with appliance cover/filler strip").

Cross-section

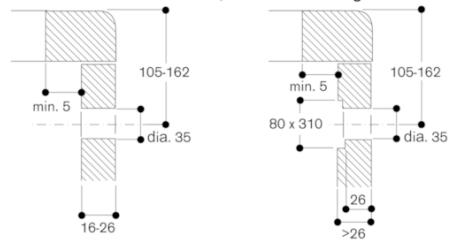


When installing with appliance cover or filler strip, pay attention to the deeper cut-out and the front and rear groove width.

Longitudinal section



Installation of the control knob; surface mounting



Installation of the control knob; flush installation

