



Color Variants

VL041115
Stainless steel control panel
Width 8.5 cm

Required installation accessories

AD724041
Round duct connection additional
adapter for VL 414 on the side
Metal zinc coated
AD724042
Connection piece for round pipe DN
150
AD854046
Flat duct system with guidance fins
Connecting piece VL 414 for DN 150 flat

Installation Accessories

AS070001
Connecting piece for extension in the
case of installation next to VK or VF
Metal zinc plated
LS041001
Ventilation moulding for VL 200 next to
gas appliance
Stainless steel
VV200014
Stainless steel connection strip
for combination with other Vario
appliances of the 200 series

VL041115
Vario downdraft ventilation 200 series
Stainless steel control panel
Width 8.5 cm
Control unit
Air extraction/air recirculation with
remote fan unit AR 403/413 121

Ventilation element integrated in the
worktop
Highly efficient ventilation system at
the cooktop
Minimal planning and easy
installation for air recirculation

Output

Maximum air output in combination
with remote fan units s. table remote
fan units on page xxx.

Features

Output control, knob operation.
4 output levels.
Ventilation grille, washable.
Metal grease filter with grease drip tray,
dishwasher-safe.
No duct connecting piece included.

Consumption data

Consumption data is referred to a
configuration with the remote fan unit
AR 403 121.
Energy efficiency class B at a range of
energy efficiency classes from A++ to
E.
Energy consumption 70 kwh/year.
Ventilation efficiency class B.
Illumination efficiency class -.
Grease filter efficiency class D.
Sound level min. 52 dB / max. 67 dB
normal mode.

Planning notes

No additional switch necessary.
Air extraction in combination with
remote fan unit AR 403 121 or air
recirculation mode with AR 413 121.
Please refer to page xxx for
recommended configurations of
downdraft ventilations and remote fan
units and the needed ducting elements.
Maximum cooktop width between 2 VL:
60 cm (exception: VI/VE 270).
If installed next to gas appliances,
the ventilation moulding LS 041 001
is recommended to ensure maximum
performance of the cooktop. If installed
next to gas appliances, flat ducts must
not be used for the piping up to the fan
unit.

When having installed the ventilation
moulding LS 041 001 the wok pan WP
400 001 can not be used.

When installing a ventilation hood with
air extraction mode and a chimney-
vented fireplace, the hood's power
supply line needs a suitable safety
switch.

Please read additional planning notes
on page xx.

Connection

Connecting cable 1.5 m with plug.

Characteristics

Product name/family
Color chimney
Typology
Approval certificates
Australia Standards, CE, Eurasian, G-
Mark, Ukraine, VDE
Length electrical supply cord (cm)
150
Required niche size for installation
(HxWxD)
320mm x 78mm x 490mm
Height of the chimney (mm)
Height of product, without chimney
(mm)
Net weight (kg)
2.535
Type of control
mechanical
Number of speed settings
4
Maximum output air extraction (m3/h)
440
Boost position output recirculating
(m3/h)
Maximum output recirculating air (m3/
h)
410
Boost position air extraction (m³/h)
Number of lights
Noise level (dB)
67
Diameter of air outlet (mm)
150
Grease filter material
Washable aluminium
Odour filter
No
Operating Mode
Convertible
Delay Shut off modes
Required accessories
Optional accessories
Type of lamps used
Total power of the lamps (W)
Grease filter type
Multilayer
Clean filter reminders

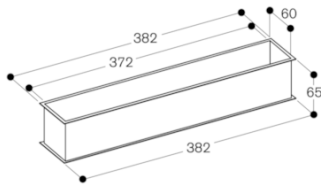
Consumption and connection features

Connection Rating (W)
Current (A)
10
Voltage (V)
220-240
Frequency (Hz)
50
Plug type
Installation typology
Built-in
Universal Product Code
825225916192
Material body
Stainless steel
Approval certificates
Australia Standards, CE, Eurasian, G-
Mark, Ukraine, VDE
Length of electrical supply cord (in)
Plug type
Dimensions of the product, with
chimney (if exists) (in)
/ x x
Dimensions of the packed product (in)
7.24 x 11.41 x 23.42
Height of the chimney (in)
Vertical rise height
Required distance above cooktop/
ranges
Net weight (lbs)
6
Gross weight (lbs)
12
Motor location
N/A
Maximum output recirculating air (CFM)
Diameter of air duct (in) top
Diameter of air duct (in) back
Discharge direction
No-return airflow flap
No

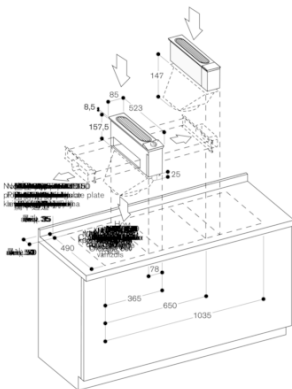
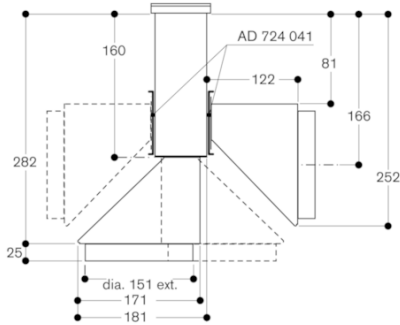
VL041115
 Vario downdraft ventilation 200 series
 Stainless steel control panel
 Width 8.5 cm
 Control unit
 Air extraction/air recirculation with
 remote fan unit AR 403/413 121

2019-11-09
 Page 2

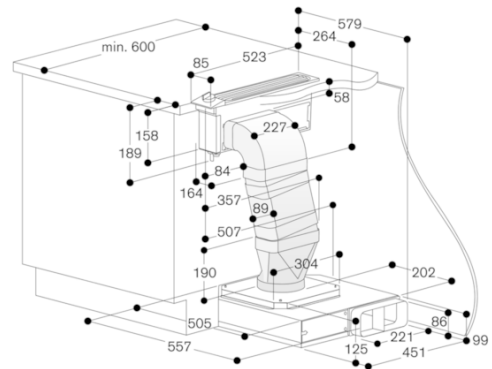
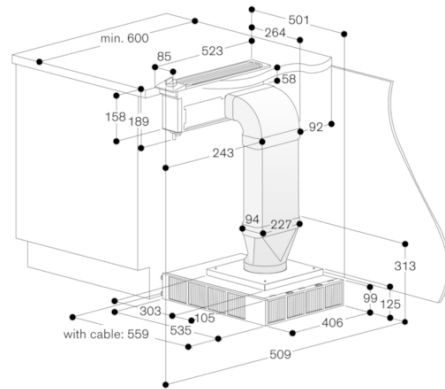
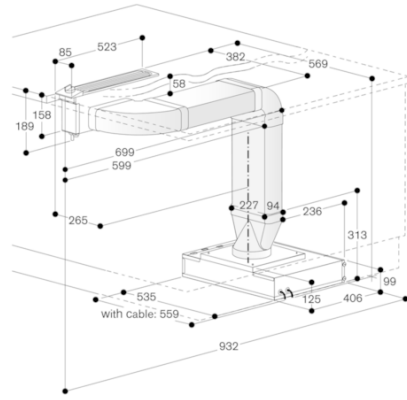
AS 070 001



VL 040/041 with AD 724 042/041



AD 724 041
AD 724 042
AD 724 043
AD 724 044
AD 724 045



VL041115
 Vario downdraft ventilation 200 series
 Stainless steel control panel
 Width 8.5 cm
 Control unit
 Air extraction/air recirculation with
 remote fan unit AR 403/413 121
 2019-11-09
 Page 3

