



Downdraft ventilation 400 series
With frame for flush mounting
Width 11 cm
Air extraction / Air recirculation
For combination within the sets CVL 410 / 420



Highly efficient ventilation system at the cooktop
 Motorless, can be combined with Gaggenau BLDC remote fan units

Output
 Power levels depend on the remote fan unit.

Features
 Manual opening of the ventilation element.
 Closing element made of stainless steel, dishwasher-safe.
 Metal grease filter, dishwasher-safe.
 No connecting piece included.

Consumption data
 Consumption data is referred to a configuration with the remote fan unit AR 403 122.
 Energy efficiency class A at a range of energy efficiency classes from A+++ to D.
 Energy consumption 53.2 kWh/year.
 Ventilation efficiency class A.
 Illumination efficiency class -.
 Grease filter efficiency class C.
 Sound level min. 56 dB / max. 68 dB normal mode.

Planning notes
 For combination within the sets CVL 410 / 420.
 Secure the control unit to the side panel of the cabinet, not to the base of the cabinet or the kitchen floor.
 When installing a ventilation hood with air extraction mode and a chimney-vented fireplace, the power supply line of the ventilation appliance needs a suitable safety switch.

Connection
 Connection cable 2.0 m between ventilation element VL 410 and control knob AA 490.

Color Variants
VL410111
Width 11 cm
Air extraction / Air recirculation

Optional accessories
AA400510
Window contact switch

Characteristics
Product name/family
Color chimney
Typology
 Downdraft
Approval certificates
 CE, Eurasian, VDE
Length electrical supply cord
Required niche size for installation (HxWxD)
 170mm x 90.0mm x 492mm
Height of the chimney
Height of product, without chimney
Net weight
 2.8
Type of control
 Electronic
Number of speed settings
Maximum output air extraction
 540
Boost position output recirculating
Maximum output recirculating air
 470
Boost position air extraction
Number of lights
Noise level
 68
Diameter of air outlet
 150
Grease filter material
 Washable stainless steel
Odour filter
 No
Operating Mode
 Convertible
Delay Shut off modes
Required accessories
Optional accessories
 AA400510
Type of lamps used
Total power of the lamps
Grease filter type
 Kasette
Clean filter reminders
Connection rating
Fuse protection
Voltage
 220-240
Frequency
 50-60
Plug type
Installation typology
 Built-in
Universal Product Code
Material body
 Stainless steel
Approval certificates
 CE, Eurasian, VDE
Length of electrical supply cord (in)
Plug type
Dimensions of the product, with chimney (if exists) (in)
 / x 4 5/16 x 20 15/32
Dimensions of the packed product
 7.08 x 15.55 x 23.42
Height of the chimney (in)
Vertical rise height
Required distance above cooktop/ranges
Net weight
 6.000
Gross weight
 16.000
Motor location
 without motor
Maximum output recirculating air
Diameter of air duct (in) top
Diameter of air duct (in) back
Discharge direction
 downward
No-return airflow flap
 No
Length electrical supply cord
Dimensions of the product, with chimney (if exists)
 x 110.0 x 520.0
Dimensions of the packed product (HxWxD)
 180 x 395 x 595
Height of the chimney (in)
Net weight

GAGGENAU

Downdraft ventilation 400 series

With frame for flush mounting

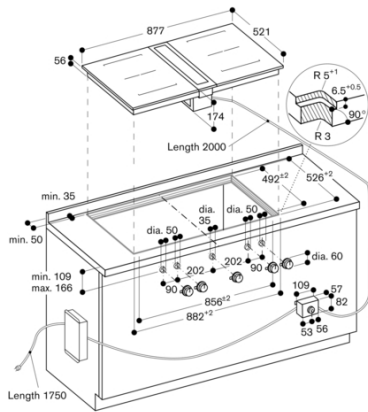
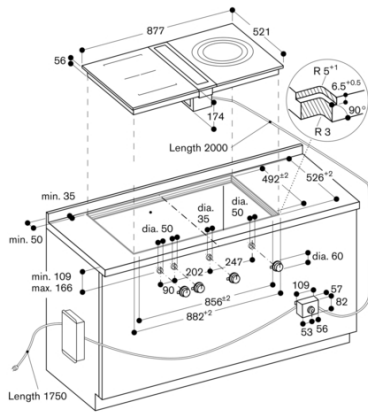
Width 11 cm

Air extraction / Air recirculation

For combination within the sets CVL
410 / 420

2022-02-04

Page 2



GAGGENAU