



VL414112

AA400510:

Window contact switch with cable

AA414010:

400ser Air Duct Part

AD410040:

Flexibel connecting piece DN 150 flat

AD851041:

VL Connecting piece flat 150mm

VA420004:

Connecting strip Serie 400, flush, short

VA420010:

Connecting strip Serie 400, top, short

Vario downdraft ventilation 400 series 15 cm, Stainless steel

VL414112

Can be combined perfectly flush with other Vario appliances of the 400 series
Precision crafted 3 mm stainless steel
Solid stainless steel control knob
Highly efficient, low noise ventilation system especially with remote fan unit AR 410 110
Function for automatic, sensor-controlled power adjustment depending on the build-up of cooking vapours
Minimal planning and easy installation

Output

Power levels depend on the remote fan unit.

Features

Control knob with illuminated ring included in delivery.
3 electronically controlled power levels and 1 intensive mode.
Automatic sensor-controlled performance adjustment of the ventilation system.
Automatic sensor-controlled or manual run-on function.
Large-scale metal grease filter with high grease absorption.
Removable, dishwasher-safe grease filter unit.
Grease filter and activated charcoal filter saturation indicator.
Airflow-optimised interior for efficient air circulation.
Interval ventilation, 6 min.
Enamelled ventilation grille, dishwasher-safe.
Air exhaust bend included in delivery.
Overflow 250 ml capacity.
Cooktop-based ventilation control (with suitable cooktop).
Home network integration for digital services (Home Connect) either via cable connection LAN (recommended) or wireless via WiFi.
The use of the Home Connect functionality depends on the Home Connect services, which are not available in every country. For further information please check: home-connect.com.

Consumption data

Consumption data is referred to a configuration with the remote fan unit AR 403 122.
Energy efficiency class A+ at a range of energy efficiency classes from A+++ to D.
Energy consumption 40.4 kWh/year.
Ventilation efficiency class A.
Illumination efficiency class -.
Grease filter efficiency class B.
Sound level min. 57 dB / max. 71 dB normal mode.

Planning notes

For each VL one remote fan unit is recommended.
Maximum cooktop(s) width between two VL : 80 cm except with the CX 482.
Vario cooktops like Vario electric grill and Vario gas wok should be placed between 2 VL.
Air recirculation is not recommended in combination with Vario electric grill.
For optimum performance in air recirculation we recommend an outflow surface area of at least 400 cm².

If operated next to gas appliances, the ventilation moulding AA 414 010 is recommended to ensure maximum performance of the cooktop.

Appliance can be snapped into the worktop from above.

Depending on the type of installation (surface-mounted or flush-mounted), the specific location of the cut-out and the knob positions may vary.

If combining several Vario appliances of the 400 series, a connection strip VA 420 must be placed between the appliances. Depending on the type of installation, the corresponding connection strip must be provided.

The bearing capacity and stability, in the case of thinner worktops in particular, must be supported using suitable substructures. Take into account the appliance weight and additional loads.

Additional instructions for flush mounting:

Installation is possible in worktops made of stone, synthetics or solid wood. Heat resistance and watertight sealing of the cut edges must be observed. Concerning other materials please consult the worktop manufacturer.

The groove must be continuous and even, so that uniform placing of the appliance on the gasket is ensured. Do not use discontinuous lining.

The joint width may vary due to size tolerances of the combinations and of the worktop cut-out. When installing a ventilation hood with air extraction mode and a chimney-vented fireplace, the power supply line of the ventilation appliance needs a suitable safety switch.

Please read additional planning notes on page xx.

Connection

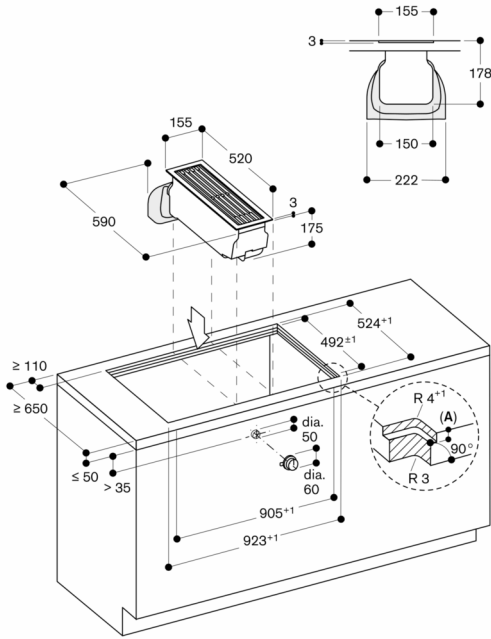
Total connected load 10 W.

Connecting cable 1.8 m with plug.

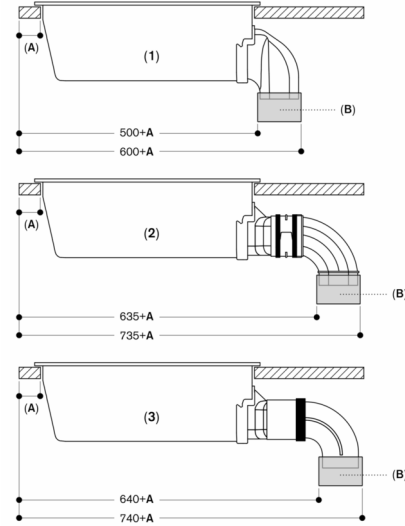
Plan a LAN cable.

Power consumption standby/display off 0.2 W.

Please check the user manual for how to switch off the WiFi module.

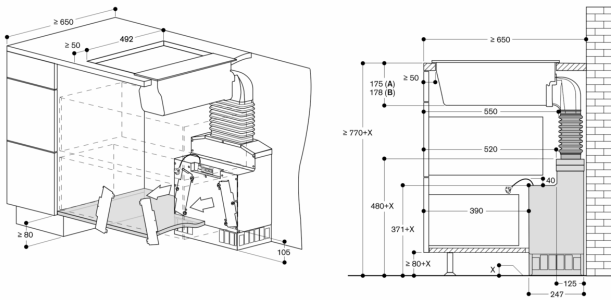


A: 3.5^{-0.5}
6.5^{-0.5} in combinations with frameless induction hobs
measurements in mm

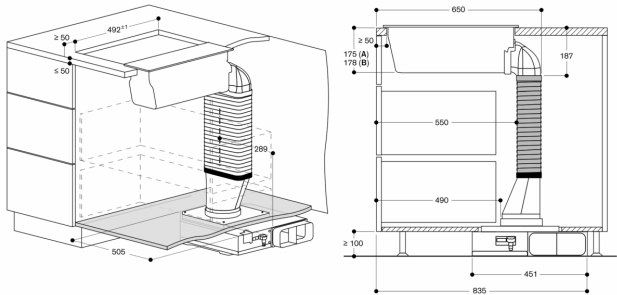


- 1: Direct installation
- 2: Installation with extension for extra deep worktop and plastic ducting:
 - AD 851 041 (connecting piece for extension)
 - AD 857 040 (flat duct connecting piece, plastic)
 - AD 857 030 (flat duct bend, 90°, vertical, plastic)
- 3: Installation with extension for extra deep worktop and metal ducting:
 - AD 851 041 (connecting piece for extension)
 - AD 854 000 (flat duct connecting piece, metal)
 - AD 854 030 (flat duct bend, 90°, vertical, metal)

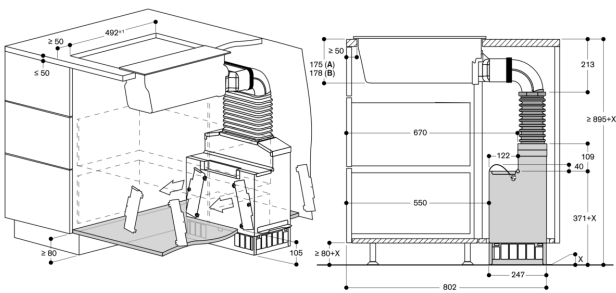
A: ≥ 50mm
B: Connecting piece
measurements in mm



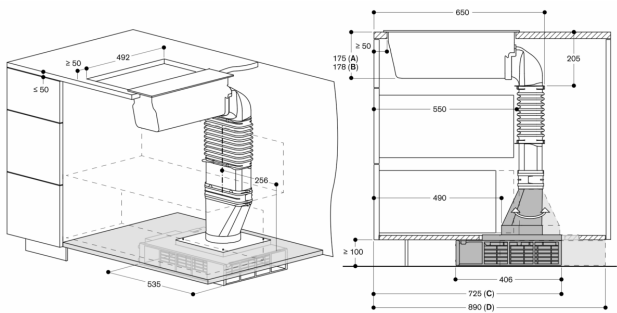
A: Surface mounting
B: Flush mounting (only VL 414)
Not recommended for non-thermally insulated outer wall or floor (U ≥ 0.5 W/m²K)
Measurements in mm



A: Surface mounting
B: Flush mounting (only VL 414)
measurements in mm

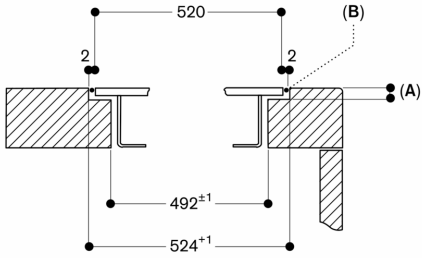


A: Surface mounting
B: Flush mounting (only VL 414)
Not recommended for non-thermally insulated floor (U ≥ 0.5 W/m²K)
Measurements in mm

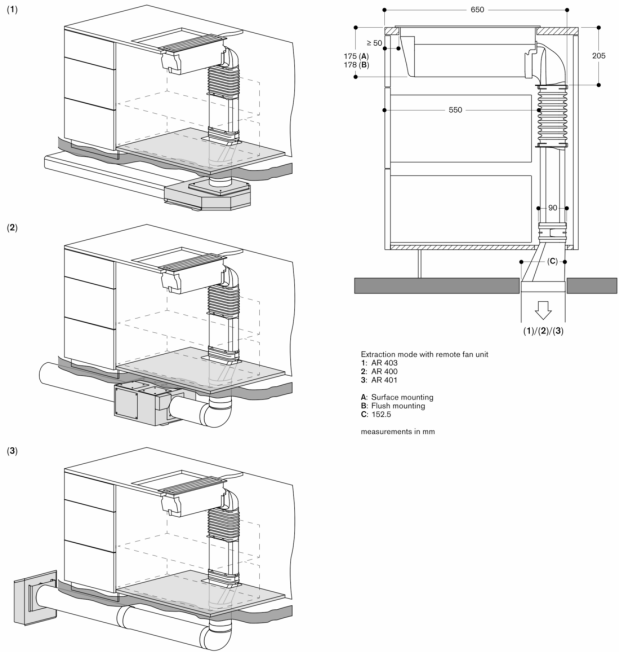


A: Surface mounting
B: Flush mounting (only VL 414)
C: Filter access from the front
Connecting piece flat/round towards the front
D: Filter access from the back
Connecting piece flat/round towards the back
Not recommended for non-thermally insulated floor (U ≥ 0.5 W/m²K)
Measurements in mm

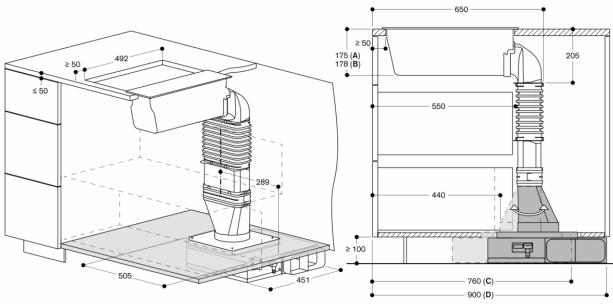
Cross-section



A: 3.5^{0.5}
 B: Fill with silicone
 measurements in mm

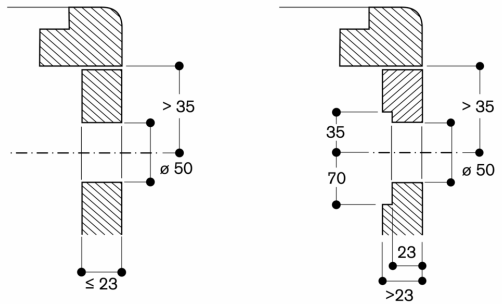


Extraction mode with remote fan unit
 1: AR 403
 2: AR 400
 3: AR 401
 A: Surface mounting
 B: Flush mounting
 C: 152.5
 measurements in mm



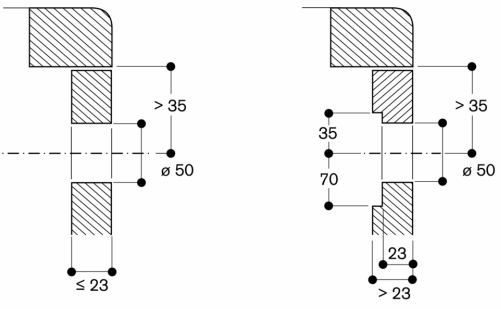
A: Surface mounting
 B: Flush mounting (only VL414)
 C: Exhaust to the left. Flat/round connecting piece towards the front
 D: Exhaust to the right. Flat/round connecting piece towards the back
 measurements in mm

Installation of the control knob; flush installation



measurements in mm

Installation of the control knob; surface mounting



measurements in mm